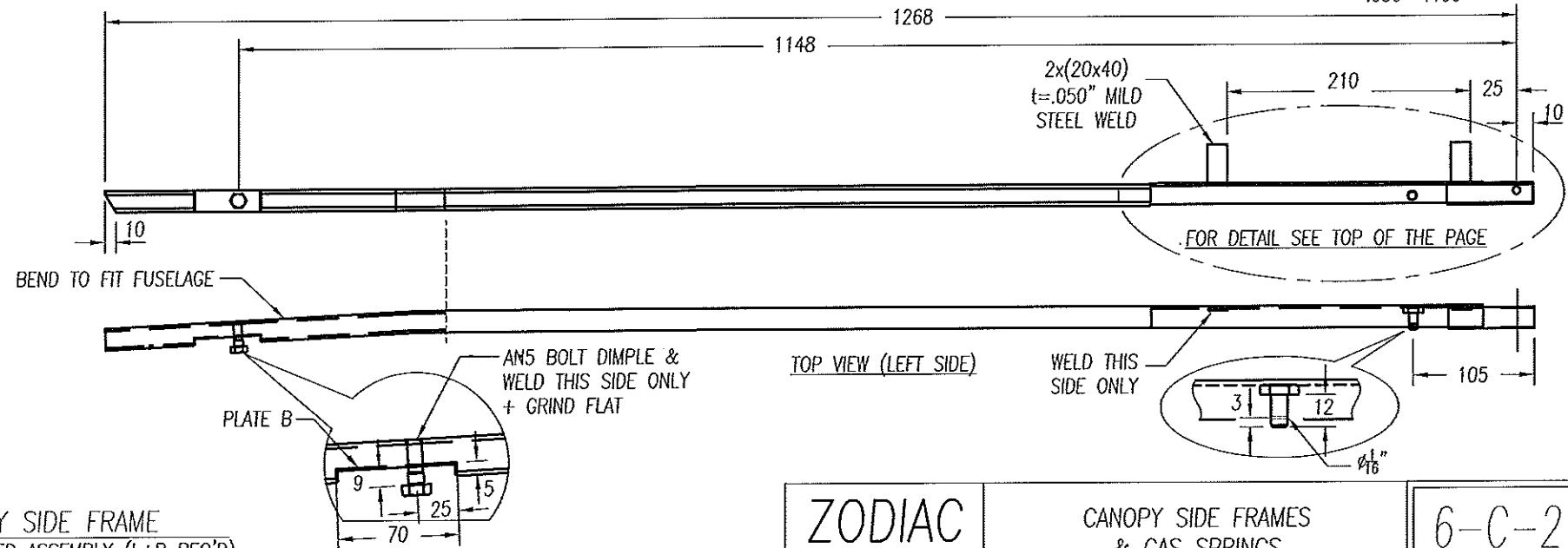
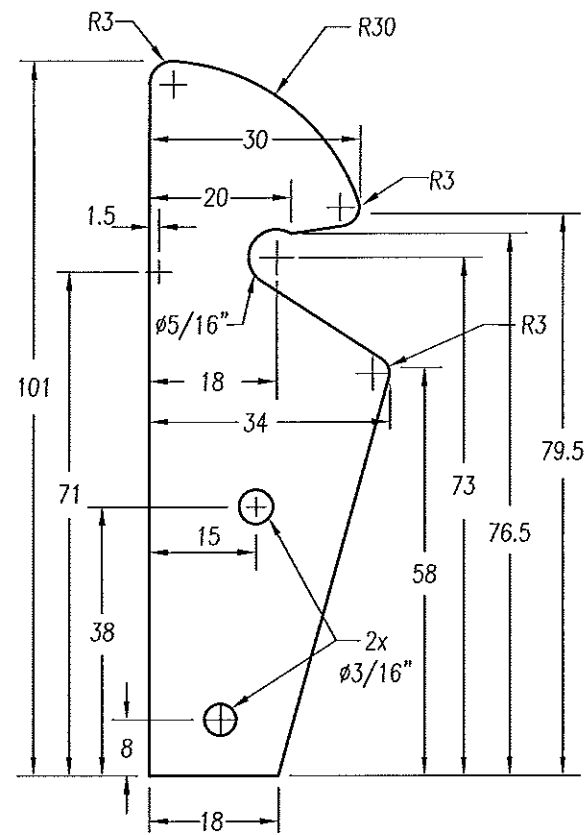


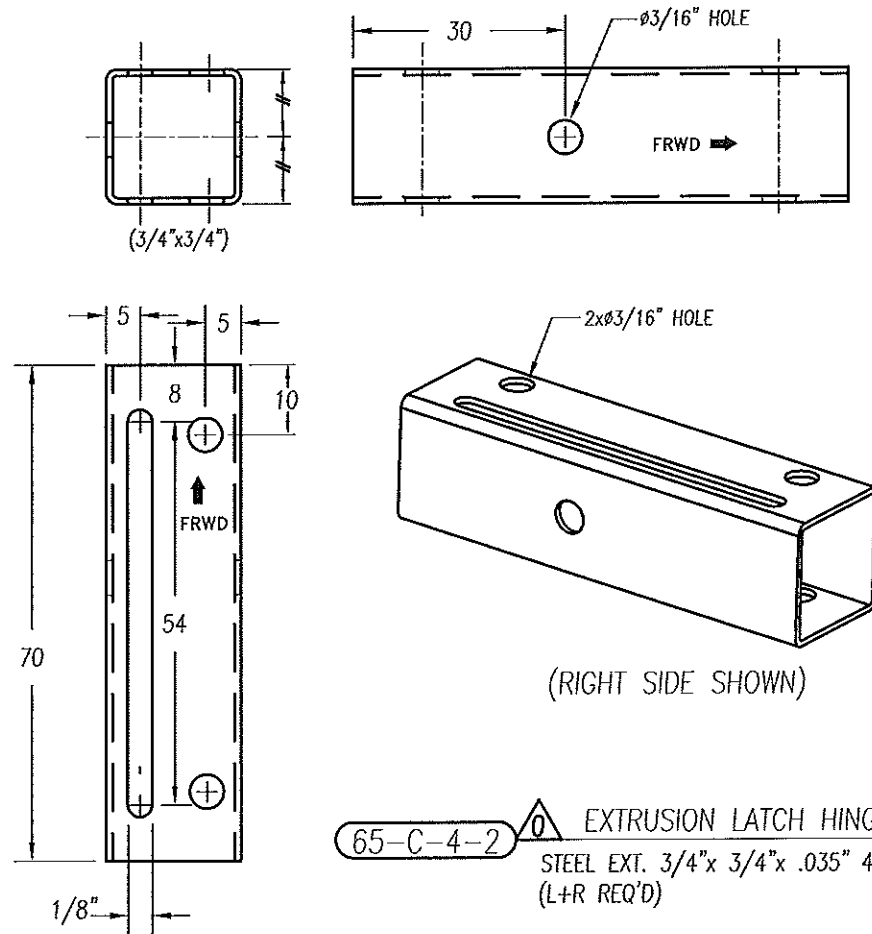
65-C-2-2 BOTTOM BRACKET WELDED ASSEMBLY (2 REQ'D)



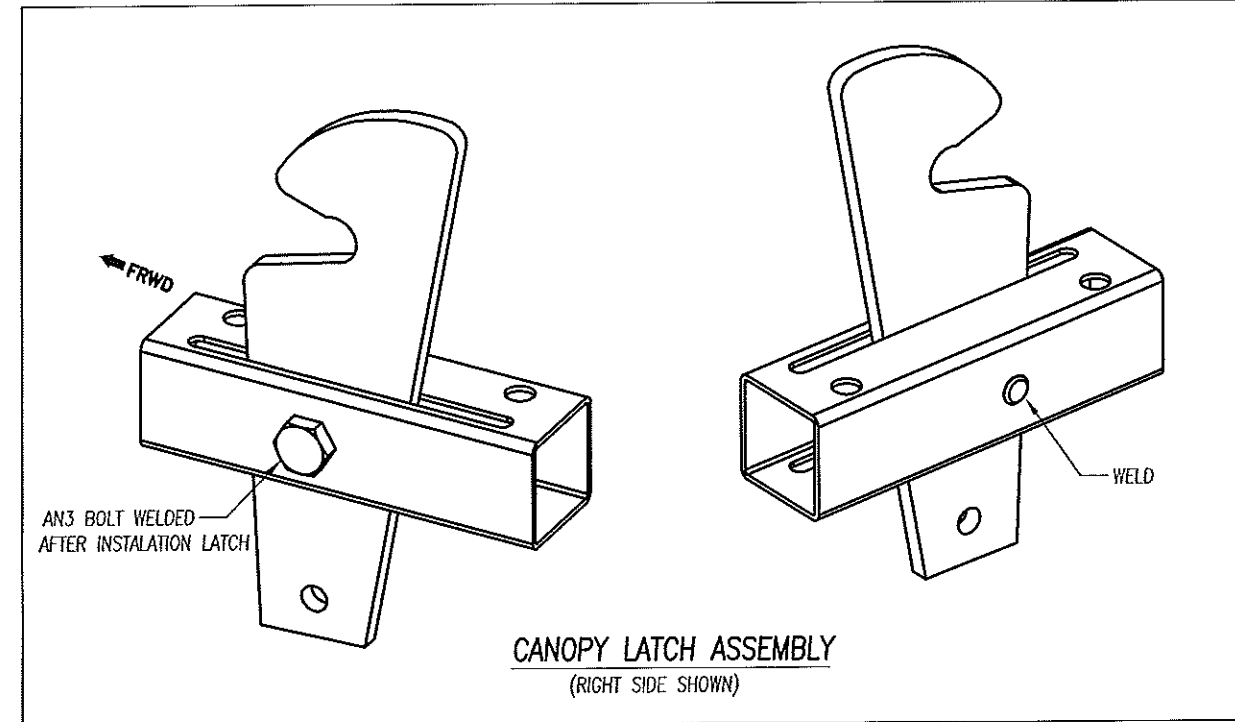
65-C-2-3 CANOPY SIDE FRAME STEEL WELDED ASSEMBLY (L+R REQ'D)



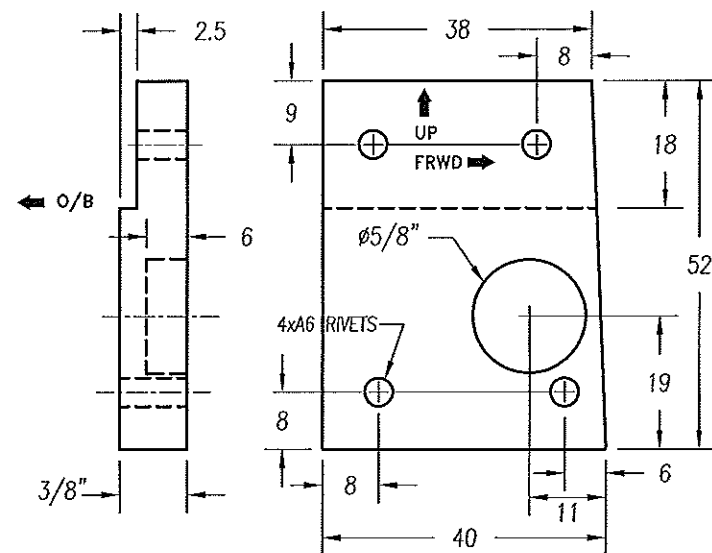
65-C-4-1 CANOPY LATCH
STEEL t=.125" (2 REQ'D)



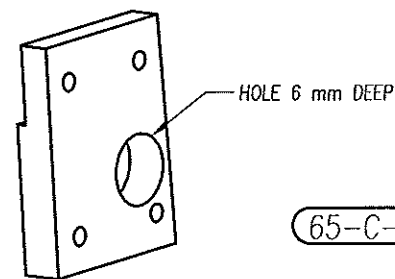
65-C-4-2 EXTRUSION LATCH HINGE
STEEL EXT. 3/4"x 3/4"x .035" 4130N
(L+R REQ'D)



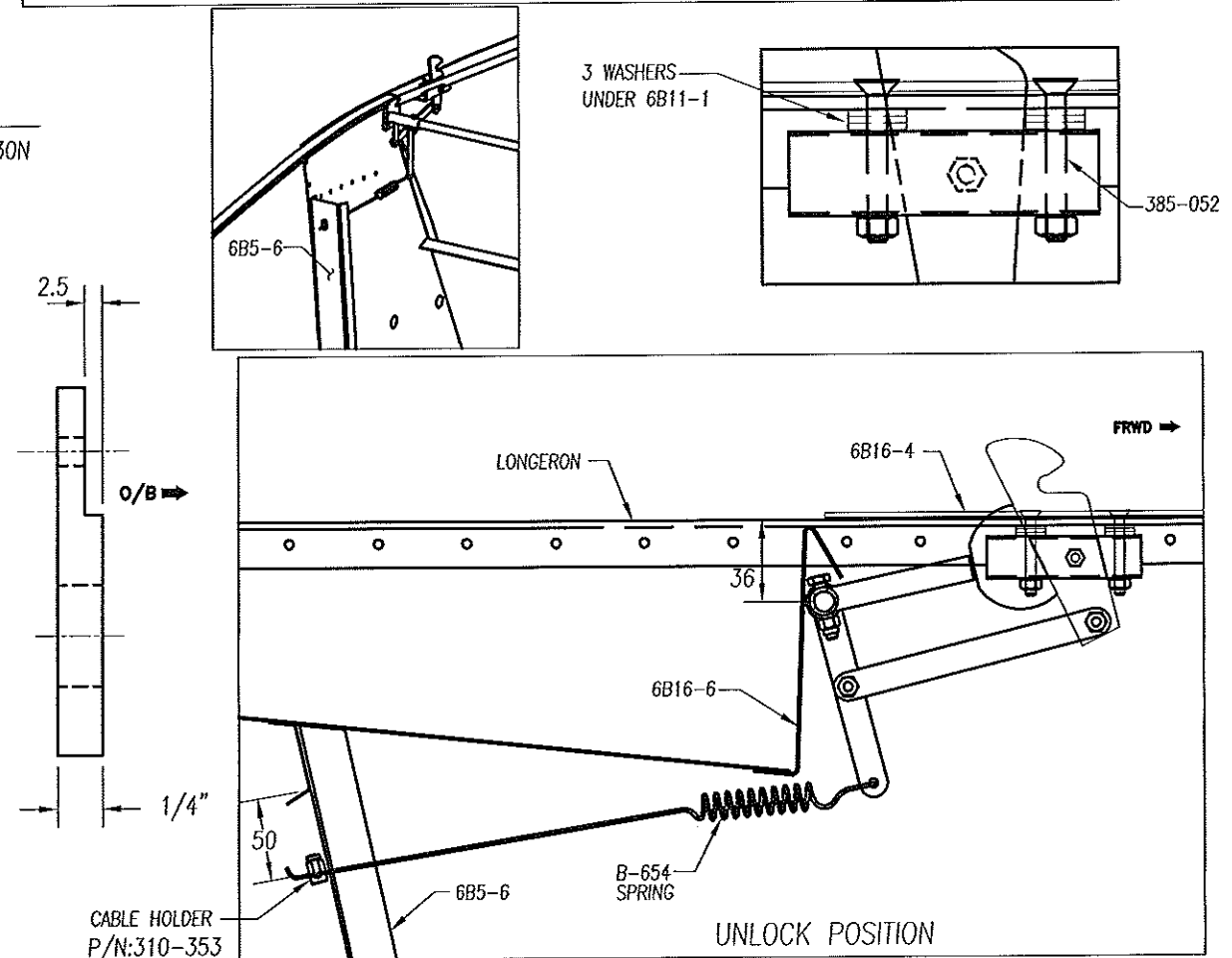
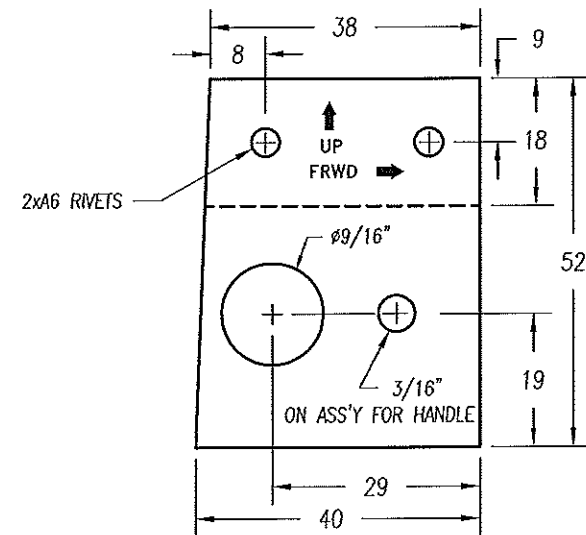
CANOPY LATCH ASSEMBLY
(RIGHT SIDE SHOWN)



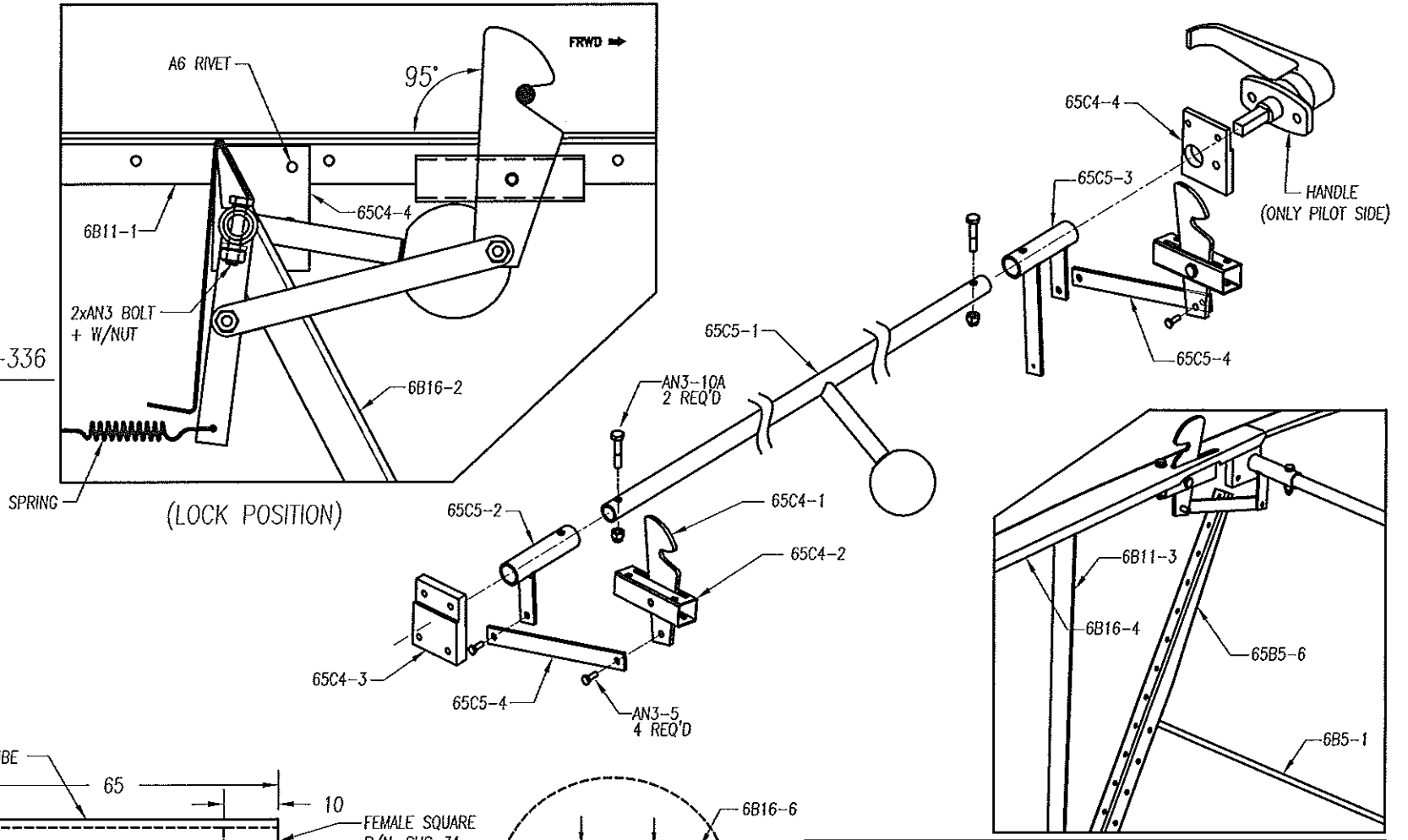
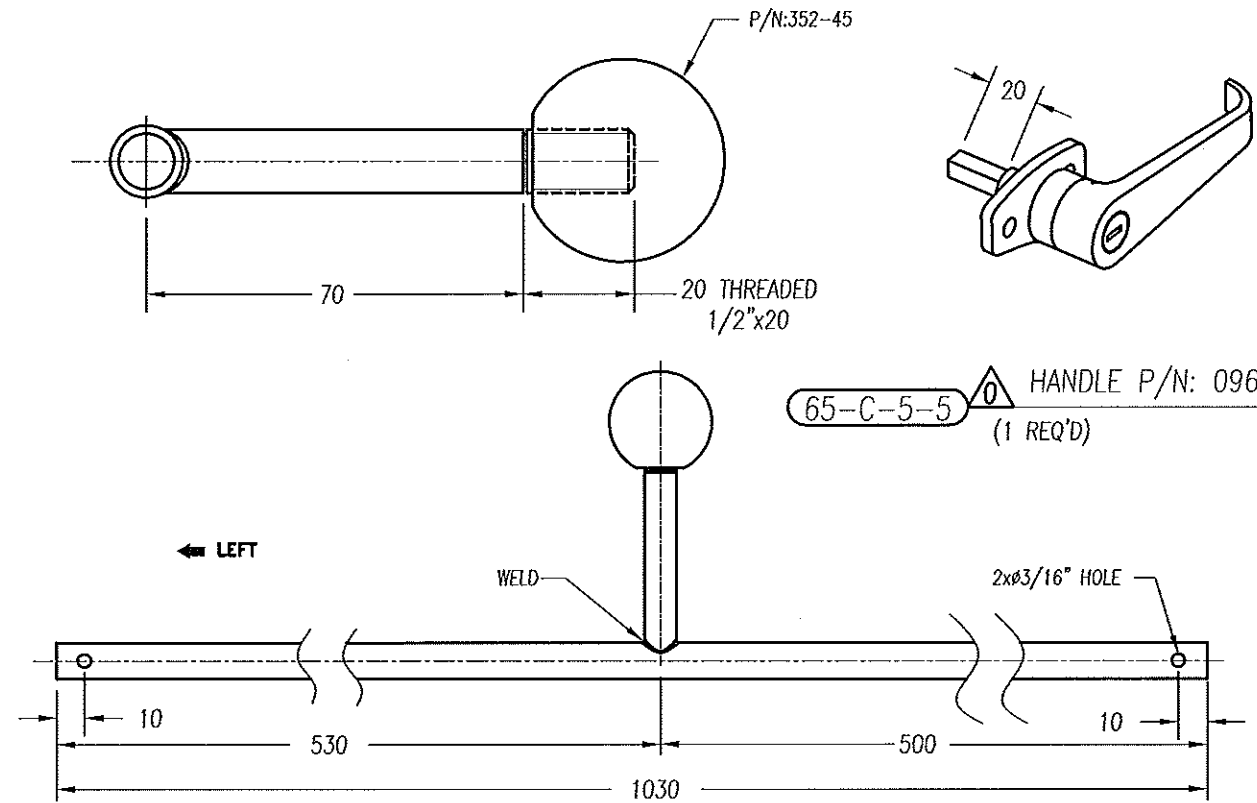
65-C-4-3 ROD BEARING (RIGHT SIDE)
NYOIL t=3/8" (1 REQ'D)



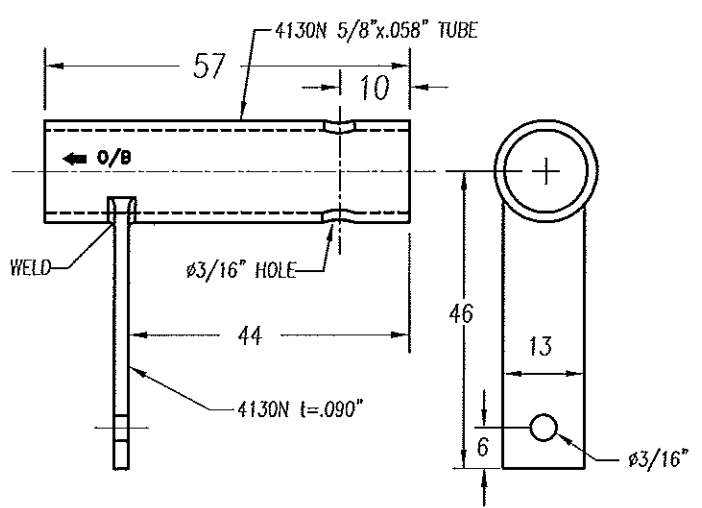
65-C-4-4 ROD BEARING (LEFT SIDE)
NYOIL t=1/4" (1 REQ'D)



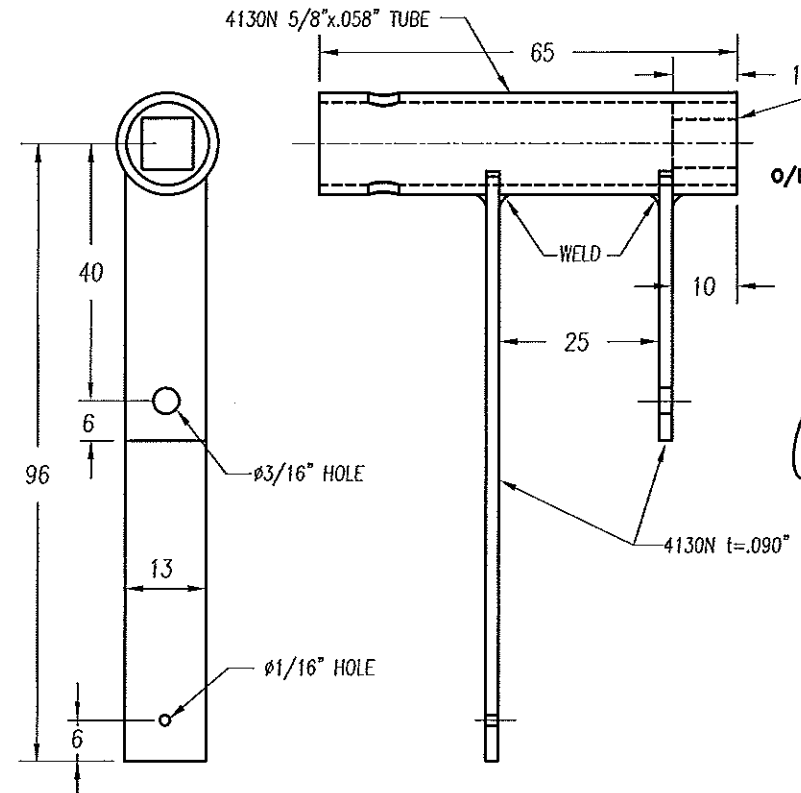
ZODIAC CH 650	CANOPY LOCK		6-C-4
	copyright© 2008 CHRIS HEINTZ	zenithair.com	DATE: 08/08



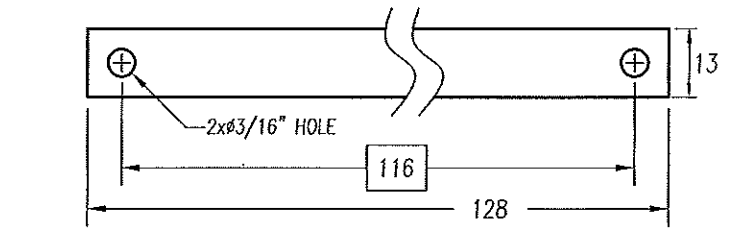
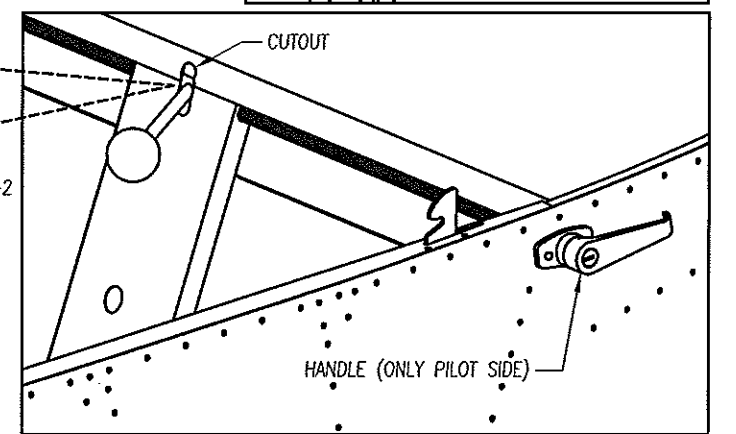
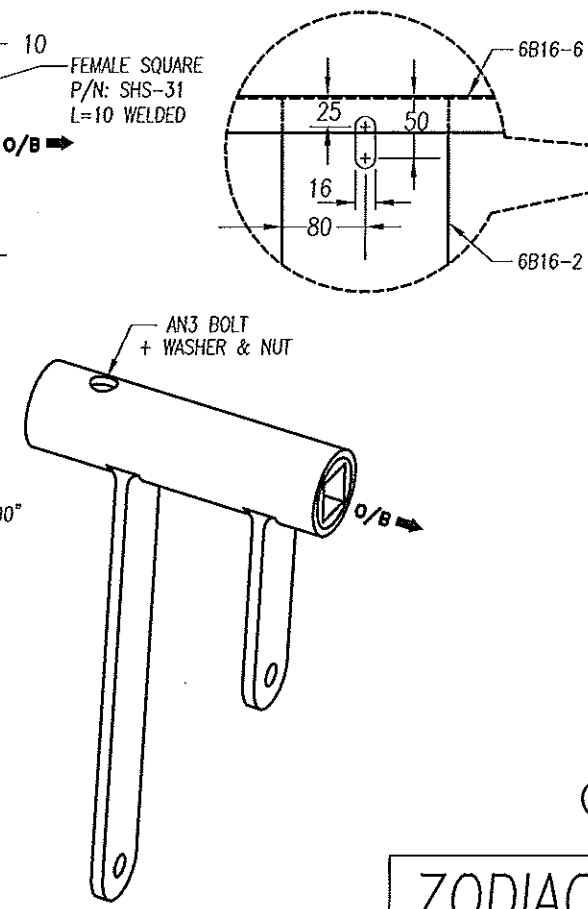
65-C-5-1 MIDDLE CANOPY LOCK TUBE
4130N TUBE 1/2"x .058" (1 REQ'D)



65-C-5-2 O/B TUBE (RIGHT SIDE)
WELDMENT (1 REQ'D)



65-C-5-3 O/B TUBE (PILOT SIDE)
WELDMENT ASSEMBLY (1 REQ'D)



65-C-5-4 ARM
4130 EXT. 1/2"x 1/8" (2 REQ'D)

ZODIAC
CH 650

CANOPY LATCH
copyright© 2008 CHRIS HEINTZ zenithair.com

6-C-5
DATE: 08/08