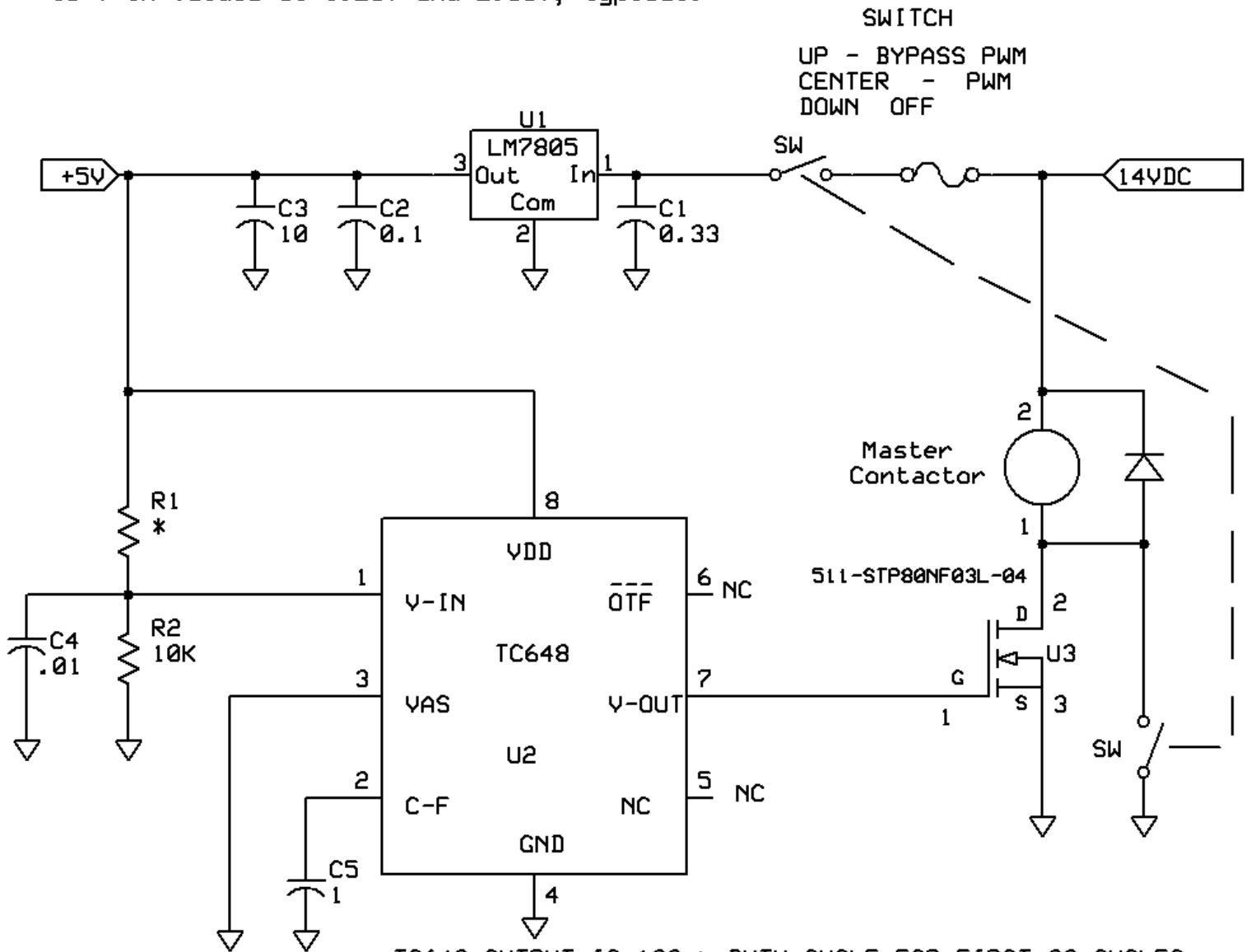


The 0% TO 100% DUTY CYCLE corresponds to V-IN values of 1.25V and 2.65V, typical.



TC648 OUTPUT IS 100% DUTY CYCLE FOR FIRST 30 CYCLES
Experiment with R1 values between 10K & 30K