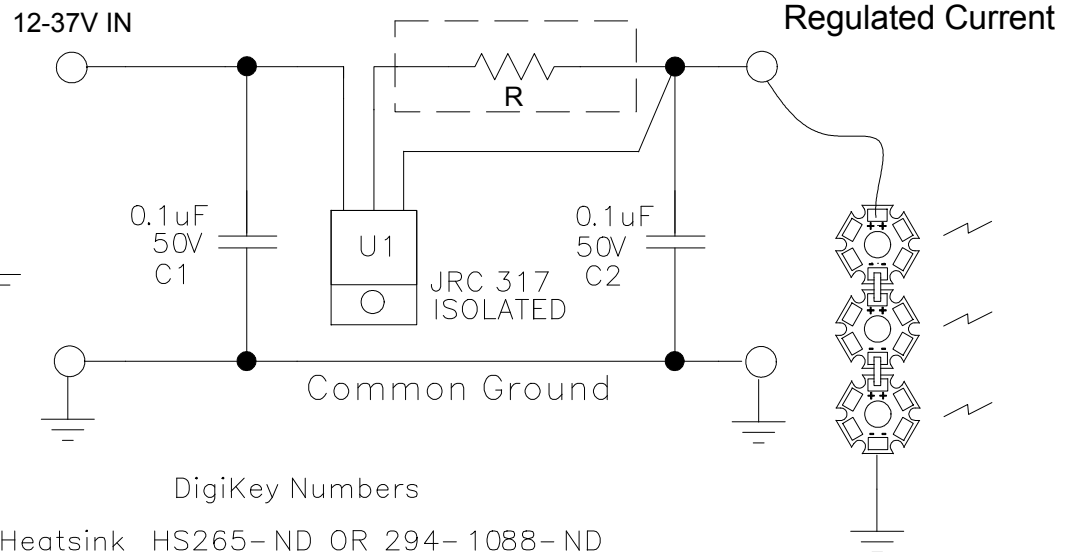
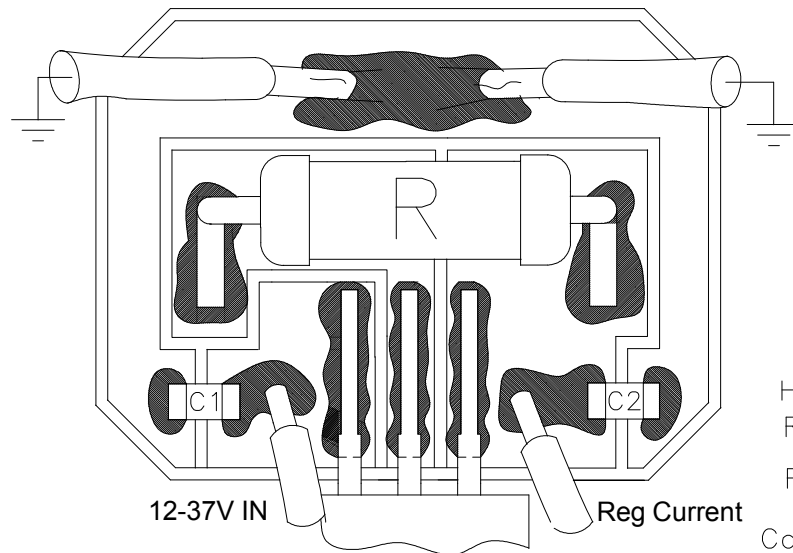


For 14.5 V in  
 you can operate  
 3 Cree XLamps  
 MC-E K0-WG  
 370~700-Lumen  
 (MCE-WG-K0)  
 At 28V...2x this !

Eric M. Jones  
 113 Brentwood Drive  
 Southbridge MA 01550  
 emjones@charter.net  
 508-764-2072

1.80 Ohm 2W	700 mA to LEDs
1.20 Ohm 2W	1 Amp to LED

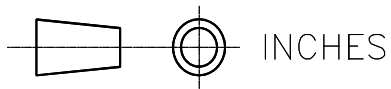


DigiKey Numbers

- Heatsink HS265-ND OR 294-1088-ND
- Regulator JRC 317 NJM317F#-ND
- Resistor 1.20 2W 1.2W-2-ND  
1.80 2W 1.8W-2-ND
- Capacitor C1 C2 PCC104BCT-ND CAP .1UF 50V CERM CHIP 1206 X7R

Drawn By: EMJ      DATE .18NOV09      TITLE Linear Current Regulator  
 Part Number:

DO NOT SCALE PRINT  
 THIRD ANGLE PROJECTION  
 INTERPRET PER ANSI Y14.5



[www.PerihelionDesign.com](http://www.PerihelionDesign.com)

