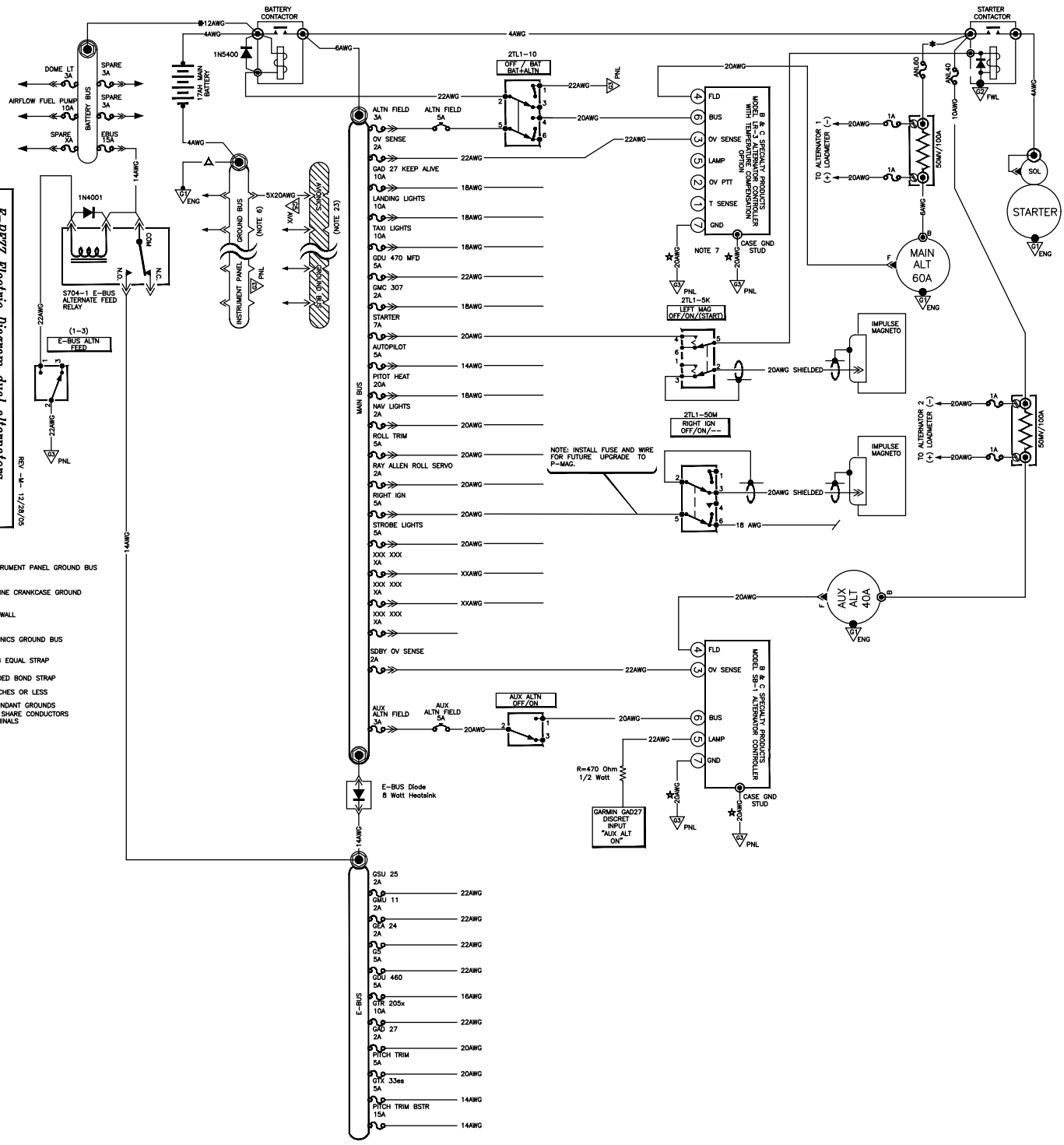


F-Peetz Electric Diagram dual alternators
REV. -R- 12/28/05

- ▽ PNL = INSTRUMENT PANEL GROUND BUS
- ▽ ENG = ENGINE CRANKCASE GROUND
- ▽ FWL = FIREWALL
- ▽ AVX = AVIONICS GROUND BUS
- ▬ = 2AWG EQUAL STRAP
- △ = BRAIDED BOND STRAP
- = 6 INCHES OR LESS
- ★ = REDUNDANT GROUNDS DO NOT SHARE CONDUCTORS OR TERMINALS



- GSU 25 2A
- GPU 11 22AWG
- GEA 24 2A
- GS 22AWG
- GS 5A
- GSU 460 22AWG
- GSU 205x 16AWG
- GSU 27 22AWG
- GSU 33sep 20AWG
- GSU 15A 14AWG
- PITCH TRIM BSTR 14AWG

NOTE: INSTALL FUSE AND WIRE FOR FUTURE UPGRADE TO P-MAG.

GARMIN GAD27 DISCREET INPUT "AUX ALT ON"

R=470 Ohm 1/2 Watt