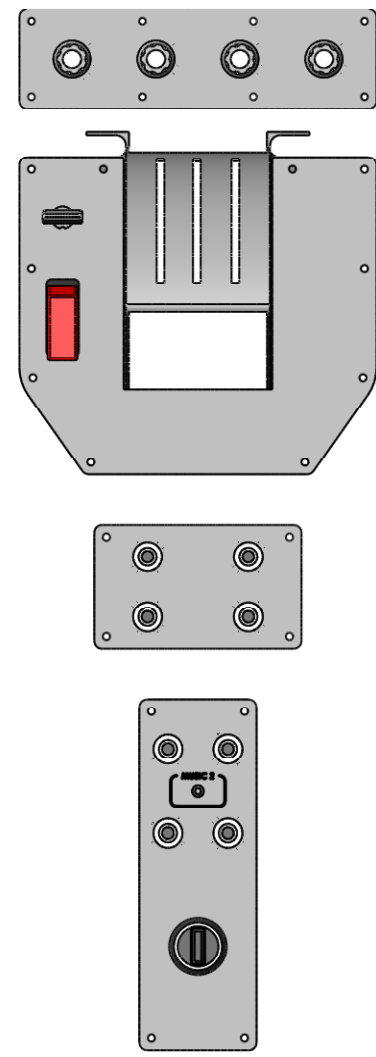
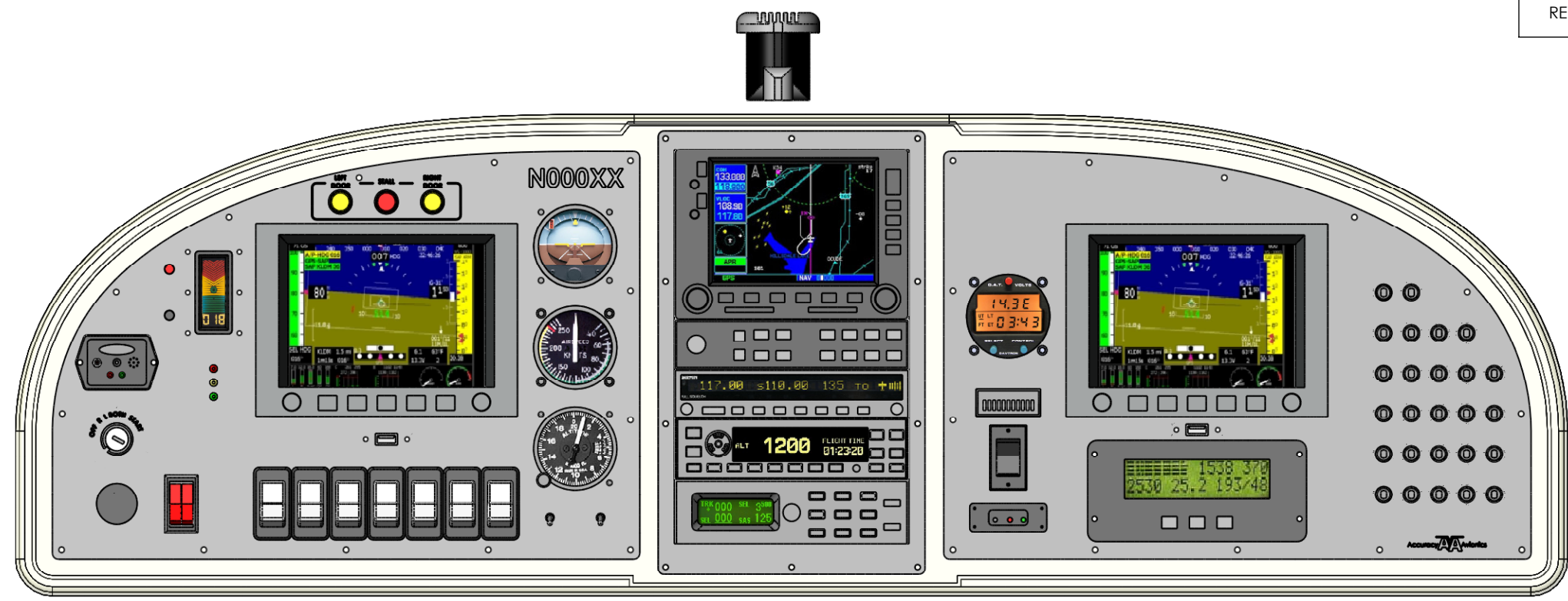


8 7 6 5 4 3 2 1

REVISIONS		
REV.	DESCRIPTION	DATE

D  
C  
B  
A

D  
C  
B  
A



**PROPRIETARY AND CONFIDENTIAL**  
 THE INFORMATION CONTAINED IN THIS DRAWING IS THE SOLE PROPERTY OF ACCURACY AVIONICS. ANY REPRODUCTION IN PART OR AS A WHOLE WITHOUT THE WRITTEN PERMISSION OF ACCURACY AVIONICS IS PROHIBITED.

UNLESS OTHERWISE SPECIFIED:		NAME	DATE
DIMENSIONS ARE IN INCHES	DRAWN:	C.SUNDIN	22 JAN, 08
TOLERANCES: ALL TOLERANCES ± 0.01"	MANAGER:	T.SUSTARE	22 JAN, 08
	PROD.MAN:	E.MCDONALD	22 JAN, 08
	Q.A.		
MATERIAL: 0.09" 6061-T6 AL. OR AS NOTED	CUSTOMER:		
FINISH:	(NOTE: PLEASE SIGN AND FAX TO AA)		
DO NOT SCALE DRAWING			

**ACCURACY AVIONICS**  
 BEND, OREGON

**AA**  
 AccuracyAvionics

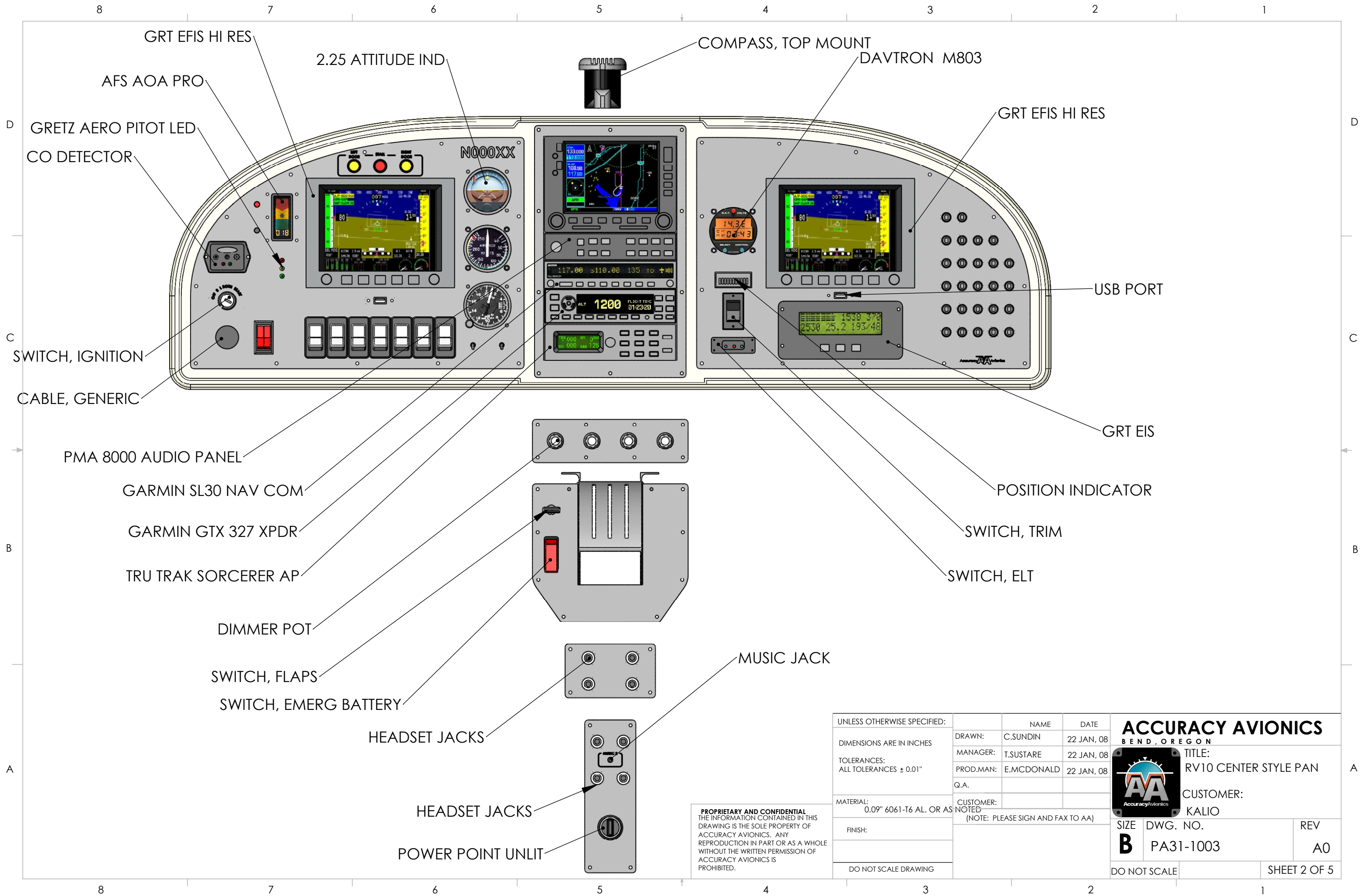
TITLE:  
RV10 CENTER STYLE PAN

CUSTOMER:  
KALIO

SIZE DWG. NO. REV  
**B** PA31-1003 A0

DO NOT SCALE SHEET 1 OF 5

8 7 6 5 4 3 2 1



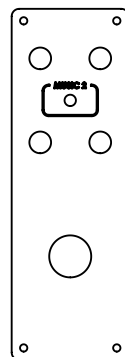
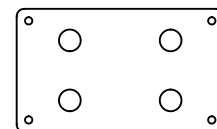
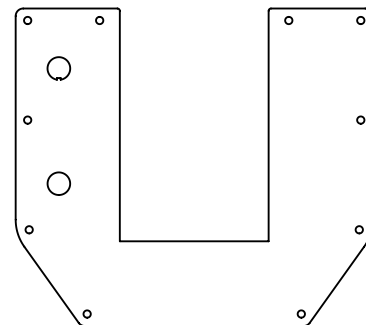
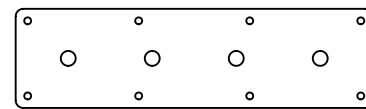
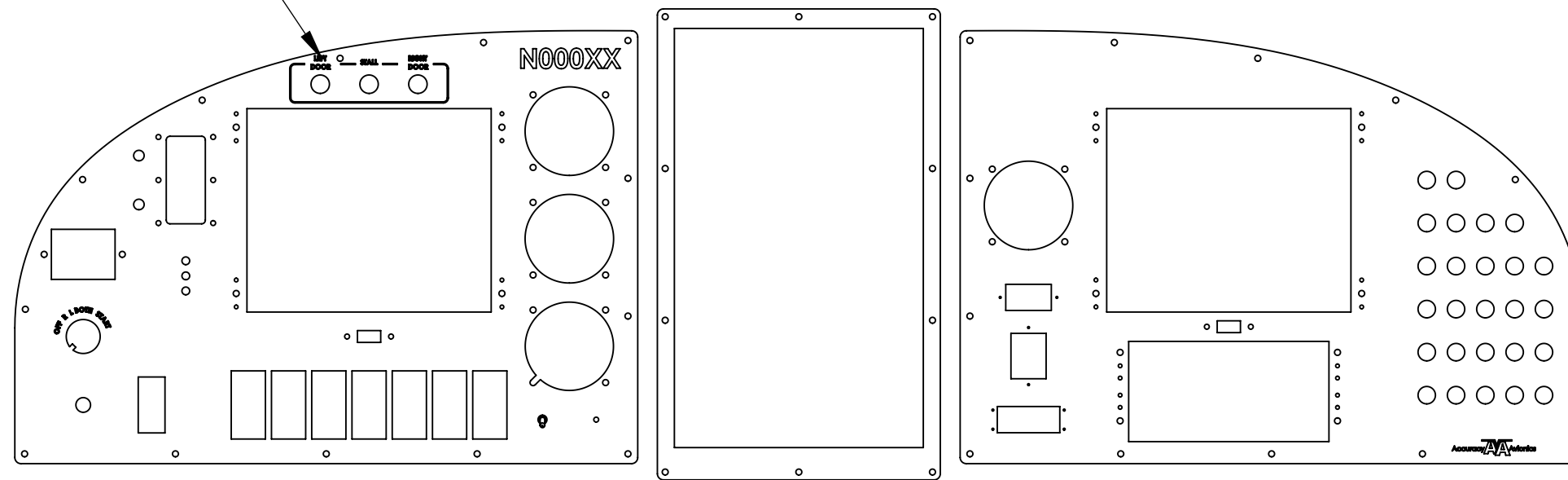
**PROPRIETARY AND CONFIDENTIAL**  
 THE INFORMATION CONTAINED IN THIS DRAWING IS THE SOLE PROPERTY OF ACCURACY AVIONICS. ANY REPRODUCTION IN PART OR AS A WHOLE WITHOUT THE WRITTEN PERMISSION OF ACCURACY AVIONICS IS PROHIBITED.

UNLESS OTHERWISE SPECIFIED:	NAME	DATE
DIMENSIONS ARE IN INCHES	DRAWN: C.SUNDIN	22 JAN, 08
TOLERANCES: ALL TOLERANCES ± 0.01"	MANAGER: T.SUSTARE	22 JAN, 08
	PROD.MAN: E.MCDONALD	22 JAN, 08
	Q.A.	
MATERIAL: 0.09" 6061-T6 AL. OR AS NOTED	CUSTOMER:	
FINISH:	(NOTE: PLEASE SIGN AND FAX TO AA)	
DO NOT SCALE DRAWING		

<b>ACCURACY AVIONICS</b> BEND, OREGON		
TITLE: RV10 CENTER STYLE PAN		
CUSTOMER: KALIO		
SIZE	DWG. NO.	REV
<b>B</b>	PA31-1003	A0
DO NOT SCALE		SHEET 2 OF 5


8 7 6 5 4 3 2 1

DO NOT CUT  
TEXT OR TEXT BOXES



- NOTES:  
 1. CUT FROM ELECTRONIC FILE  
 2. CHECK SCALE  
 3. LEAD IN ALL HOLES  
 4. DO NOT CUT THE TEXT AND TEXT BOXES.

**PROPRIETARY AND CONFIDENTIAL**  
 THE INFORMATION CONTAINED IN THIS  
 DRAWING IS THE SOLE PROPERTY OF  
 ACCURACY AVIONICS. ANY  
 REPRODUCTION IN PART OR AS A WHOLE  
 WITHOUT THE WRITTEN PERMISSION OF  
 ACCURACY AVIONICS IS  
 PROHIBITED.

UNLESS OTHERWISE SPECIFIED:		NAME	DATE	<b>ACCURACY AVIONICS</b> BEND, OREGON	TITLE: RV10 CENTER STYLE PAN
DIMENSIONS ARE IN INCHES	DRAWN:	C.SUNDIN	22 JAN, 08		
TOLERANCES: ALL TOLERANCES ± 0.01"	MANAGER:	T.SUSTARE	22 JAN, 08		CUSTOMER: KALIO
MATERIAL: 0.09" 6061-T6 AL. OR AS NOTED	PROD.MAN:	E.MCDONALD	22 JAN, 08		
FINISH:	Q.A.			SIZE	DWG. NO.
DO NOT SCALE DRAWING	CUSTOMER:		(NOTE: PLEASE SIGN AND FAX TO AA)	<b>B</b>	PA31-1003
				REV	A0
				DO NOT SCALE	SHEET 3 OF 5

8 7 6 5 4 3 2 1