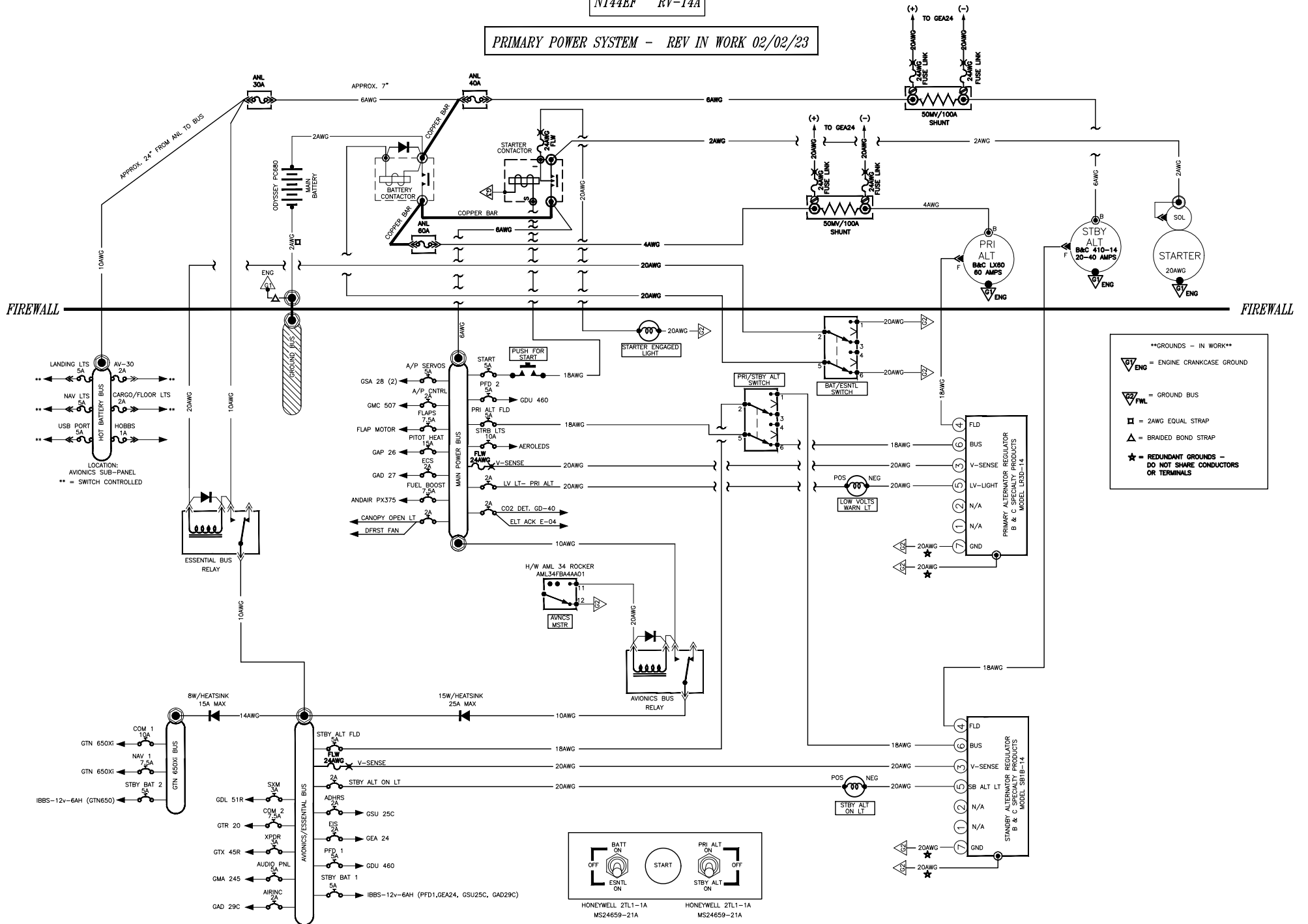


N144EF RV-14A

PRIMARY POWER SYSTEM - REV IN WORK 02/02/23



GROUNDS - IN WORK

△ ENG = ENGINE CRANKCASE GROUND

△ FWL = GROUND BUS

□ = 2AWG EQUAL STRAP

△ = BRAIDED BOND STRAP

★ = REDUNDANT GROUNDS - DO NOT SHARE CONDUCTORS OR TERMINALS

