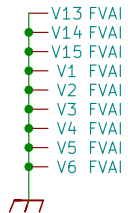
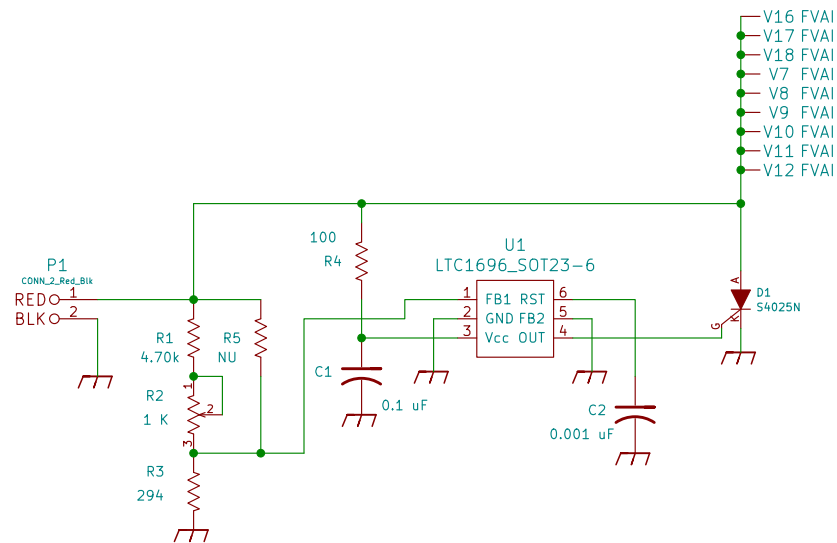


OverVolt_0 crowbar



McLagan Enterprises	
Sheet: /	
File: OverVolt_0.sch	
Title: Over Voltage Crowbar	
Size: User	Date: 2021-11-01
KiCad E.D.A. kicad (5.1.5)-3	
Rev: 0	
Id: 1/1	