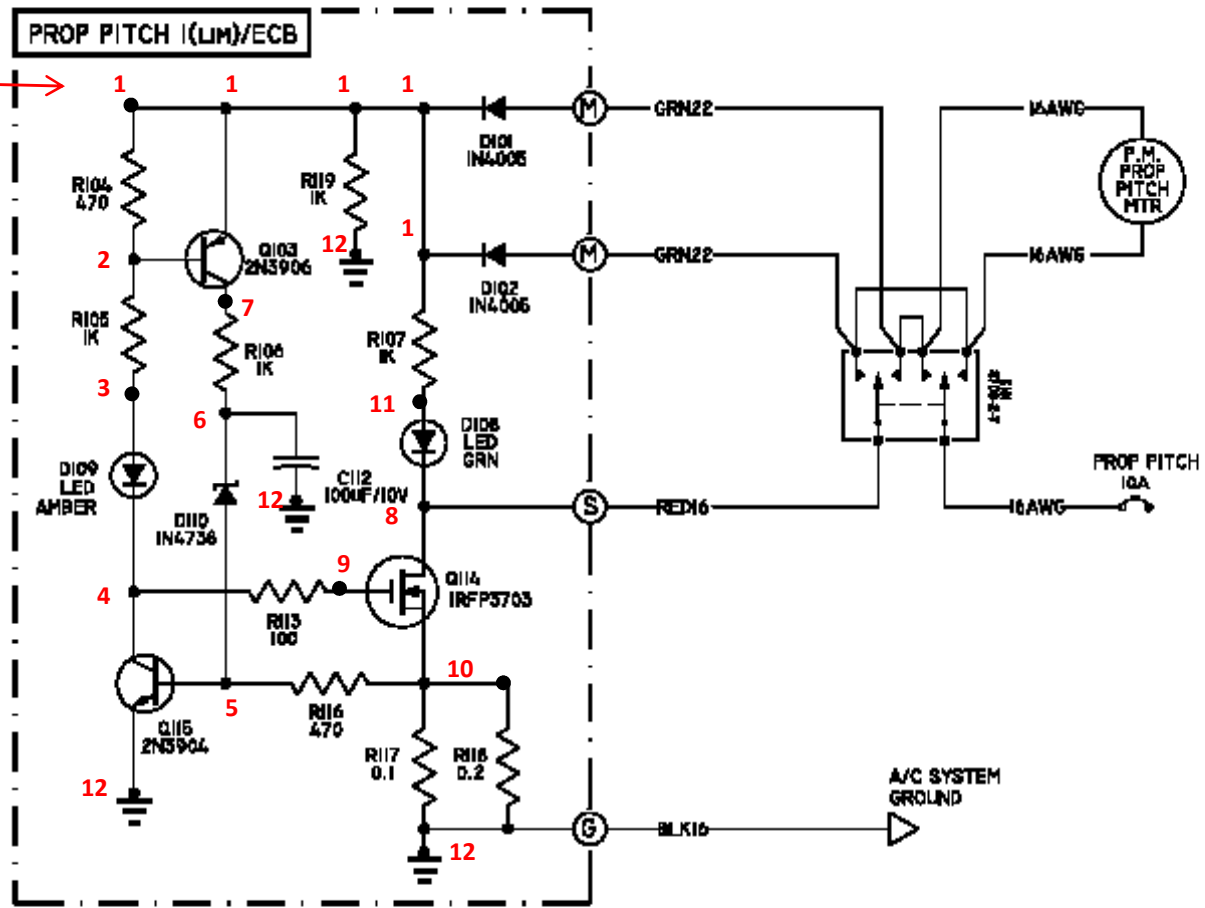


Node Number →



PROP PITCH CURRENT LIMITER AND ELECTRONIC C/B	TITLE
1.0	PAGE

