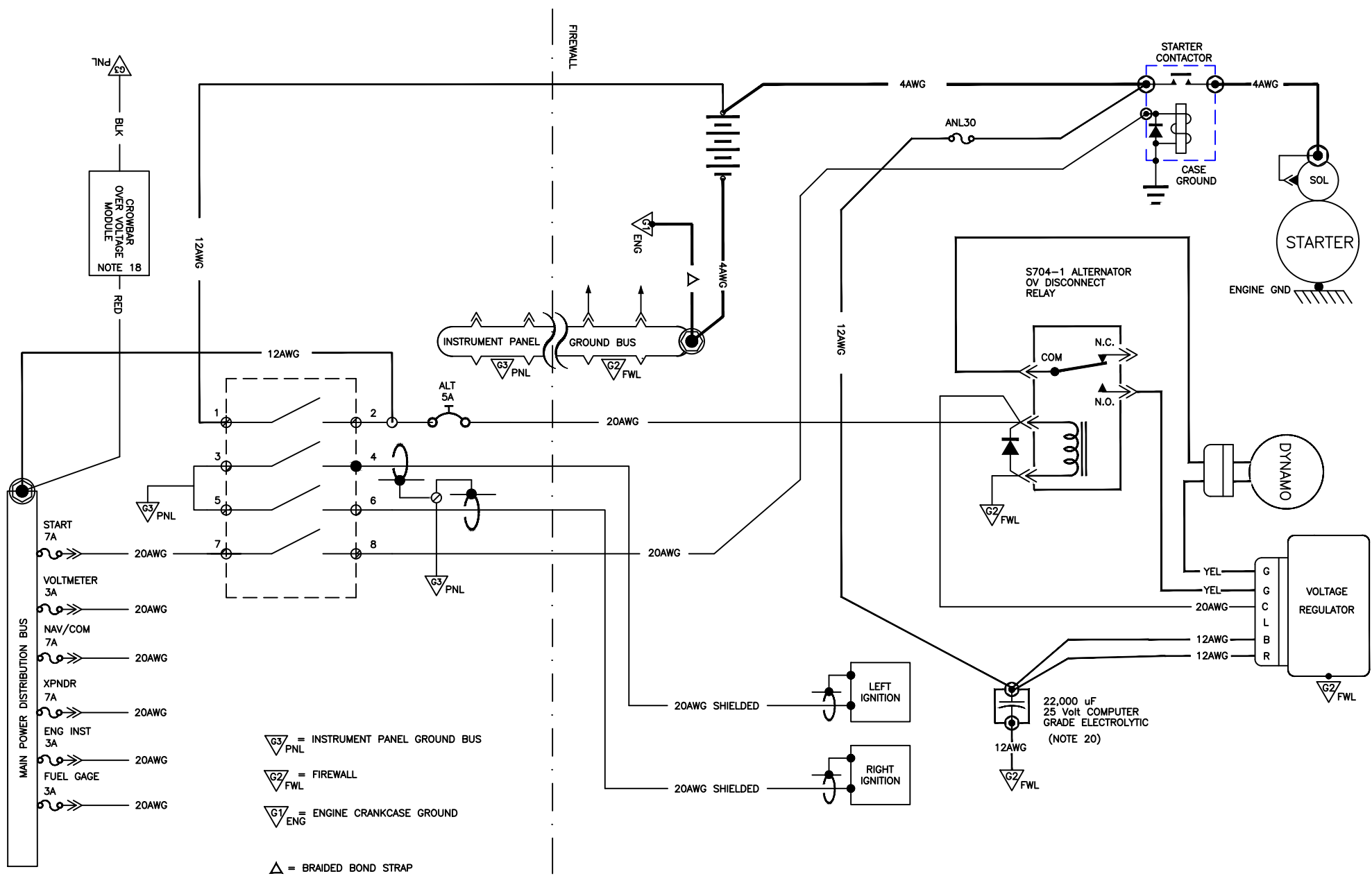


Electric System Aero101

REV -A- 07/10/20



- $\nabla_{G3/PNL}$ = INSTRUMENT PANEL GROUND BUS
- $\nabla_{G2/FWL}$ = FIREWALL
- $\nabla_{G1/ENG}$ = ENGINE CRANKCASE GROUND
- \triangle = BRAIDED BOND STRAP