
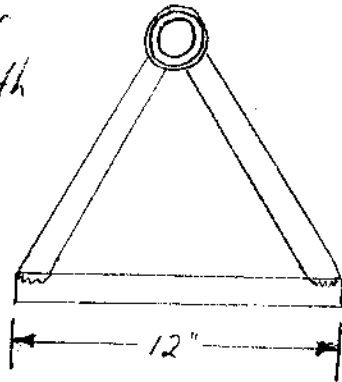
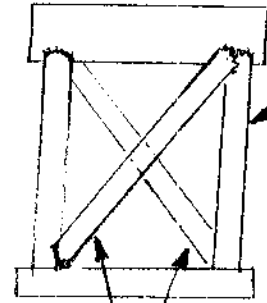


* The Ski bottom is Maple, I think. The beveled doubler is $\frac{3}{4}$ " THK. Oak. I found an old pair of wood water skis I plan to use. They are nice spruce. After mounting the same Oak doubler I am going to wrap them in clear fiberglass like the cedar strip canoe guys do. Much stronger. There is a keel down the center. This is available from the strip canoe suppliers. Coved brass about $\frac{3}{8}$ " x $\frac{1}{2}$ ".  I'll probably make my bottoms about 6" x 58". They could stand to be a little narrower for less resistance with "sticky" snow.

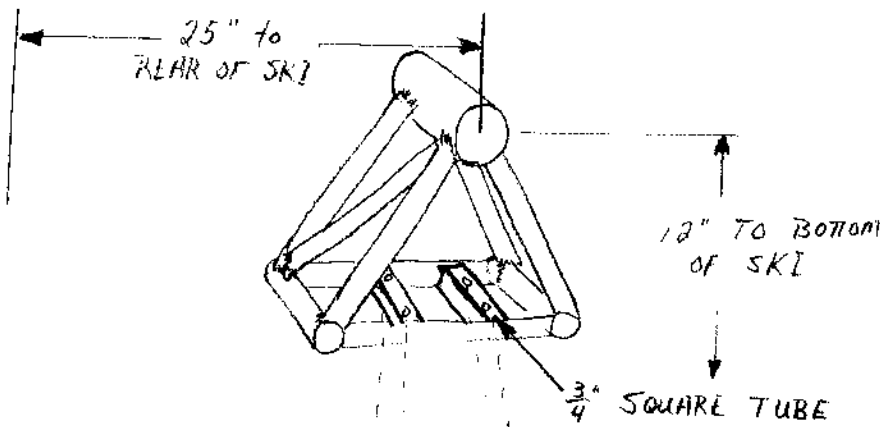


2" \varnothing x .120" WALL, BUSHED FOR 1 1/2" AXLE

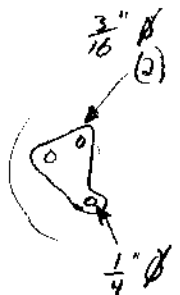


$\frac{3}{4}$ " \varnothing x .058" (ALL)

1 DIAGONAL EACH SIDE



* RIGGED PER AC43.13



$\frac{5}{8}$ " THK.

