


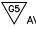


-  = ENGINE CRANKCASE GROUND
-  = FIREWALL
-  = INSTRUMENT PANEL GROUND BUS
-  = AVIONICS GROUND BUS
- = 2AWG EQUAL STRAP
- △ = BRAIDED BOND STRAP
- * = 6 INCHES OR LESS
- ★ = REDUNDANT GROUNDS

7Nd
BLK

CROWBAR
O.V. PROTECT
MODULE

ALT FLD
5A

GROUND PWR/ALT 2
CONTACTOR

40A ANL
CURRENT LIMITER

BATTERY
CONTACTOR

18 AH MAIN
BATTERY (NOTE 1.7)

GROUND BUS
NOTE 6

INSTRUMENT PANEL
NOTE 7

ENGINE
CRANKCASE

IGNITION 1

FUEL PUMP 1

EFI INJECTORS

COM

AUDIO

NAV

TRANSPONDER

EFIS

MGL

TAXI/LDG LT

STROBE/POS LT

LV WARN

AUTOPILOT

XFER PUMP

PITOT HT

AUX PWR

TAIL CAM

START

FLAPS

GENERIC "FORWARD"
REGULATOR (NOTE 2.1)

NO CONNECT

CASE GND

TO ALTERNATOR
LOADMETER (+)

TO ALTERNATOR
LOADMETER (-)

50MV/10A

DC POWER
MASTER SWITCH

PUSH TO
START

STARTER
CONTACTOR

SOL

STARTER

60A ALT

60A ANL CURRENT LIMITER

TO ALTERNATOR
LOADMETER (+)

TO ALTERNATOR
LOADMETER (-)

50KV/60A

B & C SPECIALTY PRODUCTS
MODEL LR-3 ALTERNATOR CONTROLLER
WITH TEMPERATURE COMPENSATION
OPTION

FLD

BUS

OV SENSE

LAMP

OV PIT

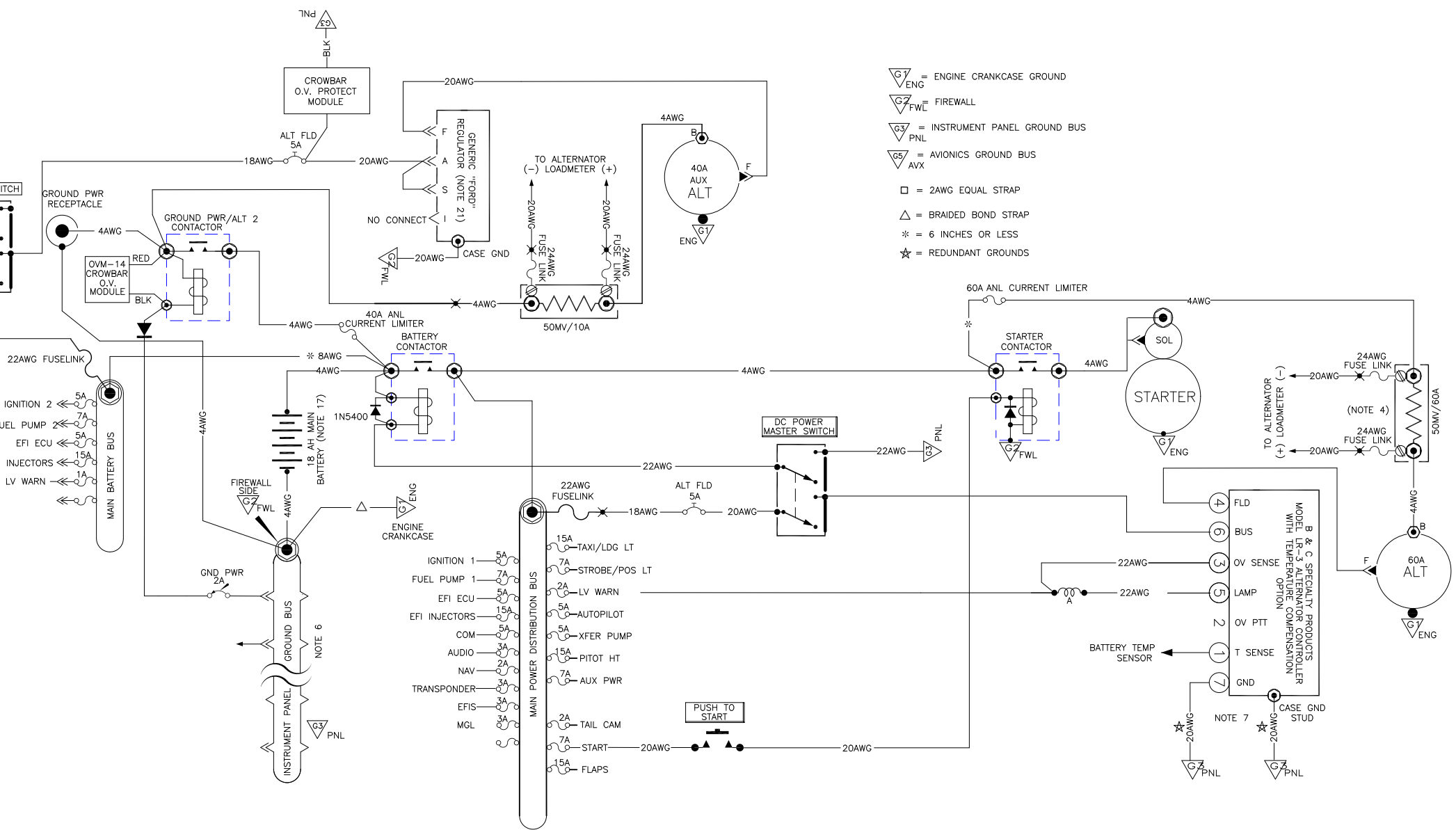
T SENSE

GND

CASE GND
STUD

BATTERY TEMP
SENSOR

NOTE 7



- = ENGINE CRANKCASE GROUND
- = FIREWALL
- = INSTRUMENT PANEL GROUND BUS
- = AVIONICS GROUND BUS
- = 2AWG EQUAL STRAP
- = BRAIDED BOND STRAP
- = 6 INCHES OR LESS
- = REDUNDANT GROUNDS

B & C SPECIALTY PRODUCTS
 MODEL LR-3 ALTERNATOR CONTROLLER
 WITH TEMPERATURE COMPENSATION
 OPTION

NOTE 4

NOTE 7