

= ENGINE CRANKCASE GROUND
 = FIREWALL
 = INSTRUMENT PANEL GROUND BUS
 = AVIONICS GROUND BUS
 = 2AWG EQUAL STRAP
 = BRAIDED BOND STRAP
 = 6 INCHES OR LESS
 = REDUNDANT GROUNDS

B & C SPECIALTY PRODUCTS
 MODEL LR-3 ALTERNATOR CONTROLLER
 WITH TEMPERATURE COMPENSATION OPTION
 NOTE 7

TNd
ENG
BLK

TNd
ENG

20AWG

20AWG

20AWG

20AWG

20AWG

20AWG

20AWG

20AWG

20AWG

20AWG

20AWG

20AWG

20AWG

20AWG

20AWG

20AWG

20AWG

20AWG

20AWG

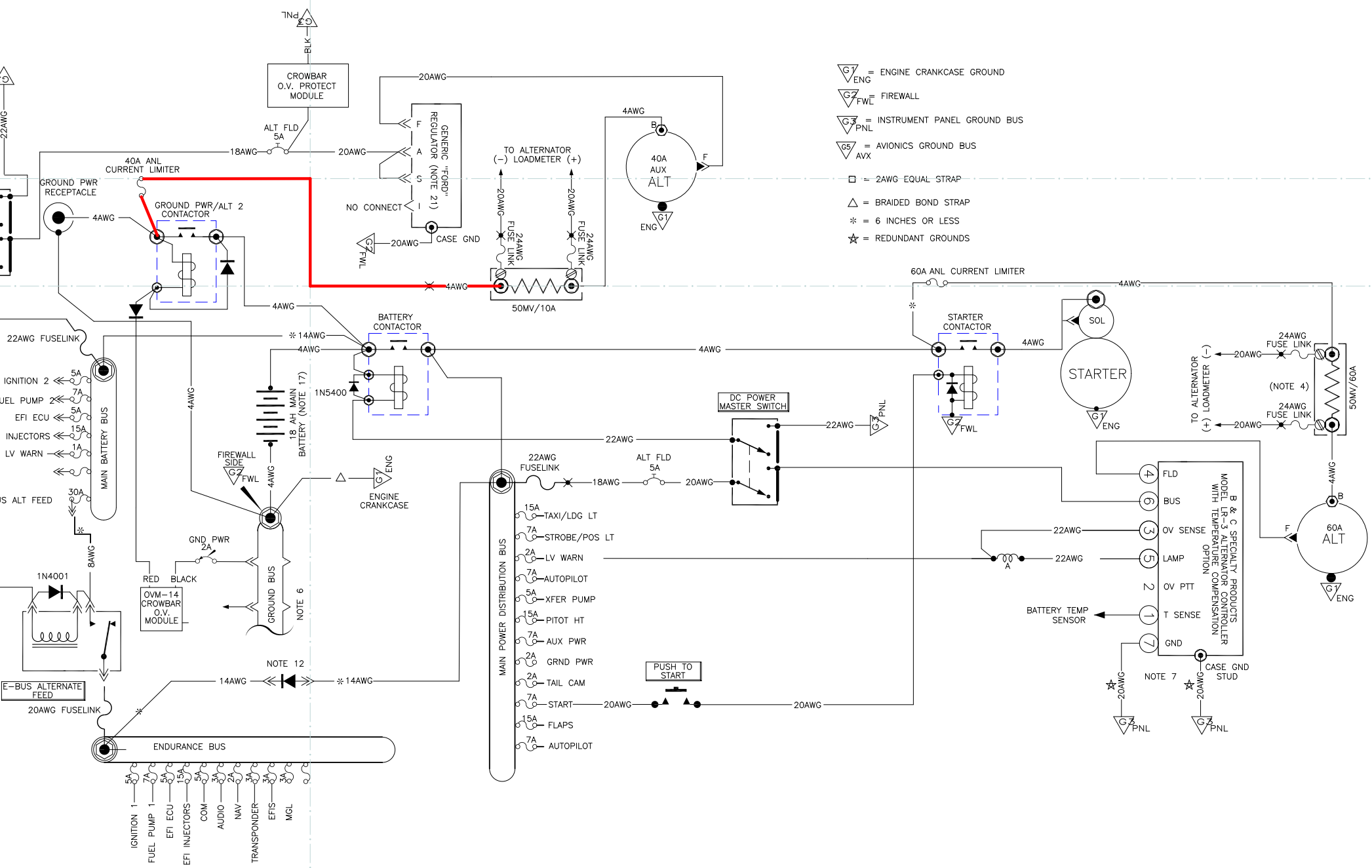
20AWG

20AWG

20AWG

20AWG

20AWG



- = ENGINE CRANKCASE GROUND
- = FIREWALL
- = INSTRUMENT PANEL GROUND BUS
- = AVIONICS GROUND BUS
- = 2AWG EQUAL STRAP
- = BRAIDED BOND STRAP
- = 6 INCHES OR LESS
- = REDUNDANT GROUNDS

B & C SPECIALTY PRODUCTS
 MODEL LR-3 ALTERNATOR CONTROLLER
 WITH TEMPERATURE COMPENSATION
 OPTION

CROWBAR
 O.V. PROTECT
 MODULE

GENERIC "FORD"
 REGULATOR (NOTE 21)

DC POWER
 MASTER SWITCH

PUSH TO
 START

FLD
 BUS
 OV SENSE
 LAMP
 OV PTT
 T SENSE
 GND

IGNITION 1
 FUEL PUMP 1
 EFI ECU
 EFI INJECTORS
 COM
 AUDIO
 NAV
 TRANSPONDER
 EFIS
 MGL

15A TAXI/LDG LT
 7A STROBE/POS LT
 2A LV WARN
 7A AUTOPILOT
 5A XFER PUMP
 15A PITOT HT
 7A AUX PWR
 2A GRND PWR
 2A TAIL CAM
 7A START
 15A FLAPS
 7A AUTOPILOT

NOTE 4

NOTE 12

NOTE 7

NOTE 17

NOTE 6

NOTE 7