


 = ENGINE CRANKCASE GROUND  
 = FIREWALL  
 = INSTRUMENT PANEL GROUND BUS  
 = AVIONICS GROUND BUS  
 □ = 2AWG EQUAL STRAP  
 △ = BRAIDED BOND STRAP  
 \* = 6 INCHES OR LESS  
 ☆ = REDUNDANT GROUNDS

9024 OVM  
Stby Alt Control

AEC9005-101  
LOW VOLTAGE  
MONITOR MODULE

BATTERY CONTROLLER  
1N5400

DC POWER  
MASTER SWITCH

B & C SPECIALTY PRODUCTS  
MODEL LR-3 ALTERNATOR CONTROLLER  
WITH THERMAL COMPENSATION  
OPTION

MAIN POWER DISTRIBUTION BUS  
 15A TAXI/LDG LT  
 7A STROBE/POS LT  
 2A LV WARN  
 5A AUTOPILOT  
 5A XFER PUMP  
 15A PITOT HT  
 7A AUX PWR  
 2A TAIL CAM  
 7A START  
 15A FLAPS

MAIN BATTERY BUS  
 IGNITION 2 5A  
 FUEL PUMP 7A  
 EFI ECU 5A  
 EFI INJECTORS 15A  
 LV WARN 1A

INSTRUMENT PANEL  
 GND PWR 2A  
 NOTE 6

18 AH MAIN BATTERY (NOTE 17)

FIREWALL SIDE FWL

ENGINE CRANKCASE

22AWG FUSELINK

18AWG ALT FLD 5A

PUSH TO START

BATTERY TEMP SENSOR

NOTE 7

CASE GND STUD

STARTER CONTACTOR

60A ANL CURRENT LIMITER

SOL

STARTER

TO ALTERNATOR LOADMETER (-)

TO ALTERNATOR LOADMETER (+)

(NOTE 4)

50KV/60A

60A ALT

ENG

20AWG

20AWG

20AWG

20AWG

20AWG

20AWG

20AWG

20AWG

20AWG

20AWG

20AWG

20AWG

20AWG

20AWG

20AWG

20AWG

20AWG

20AWG

20AWG

20AWG

20AWG

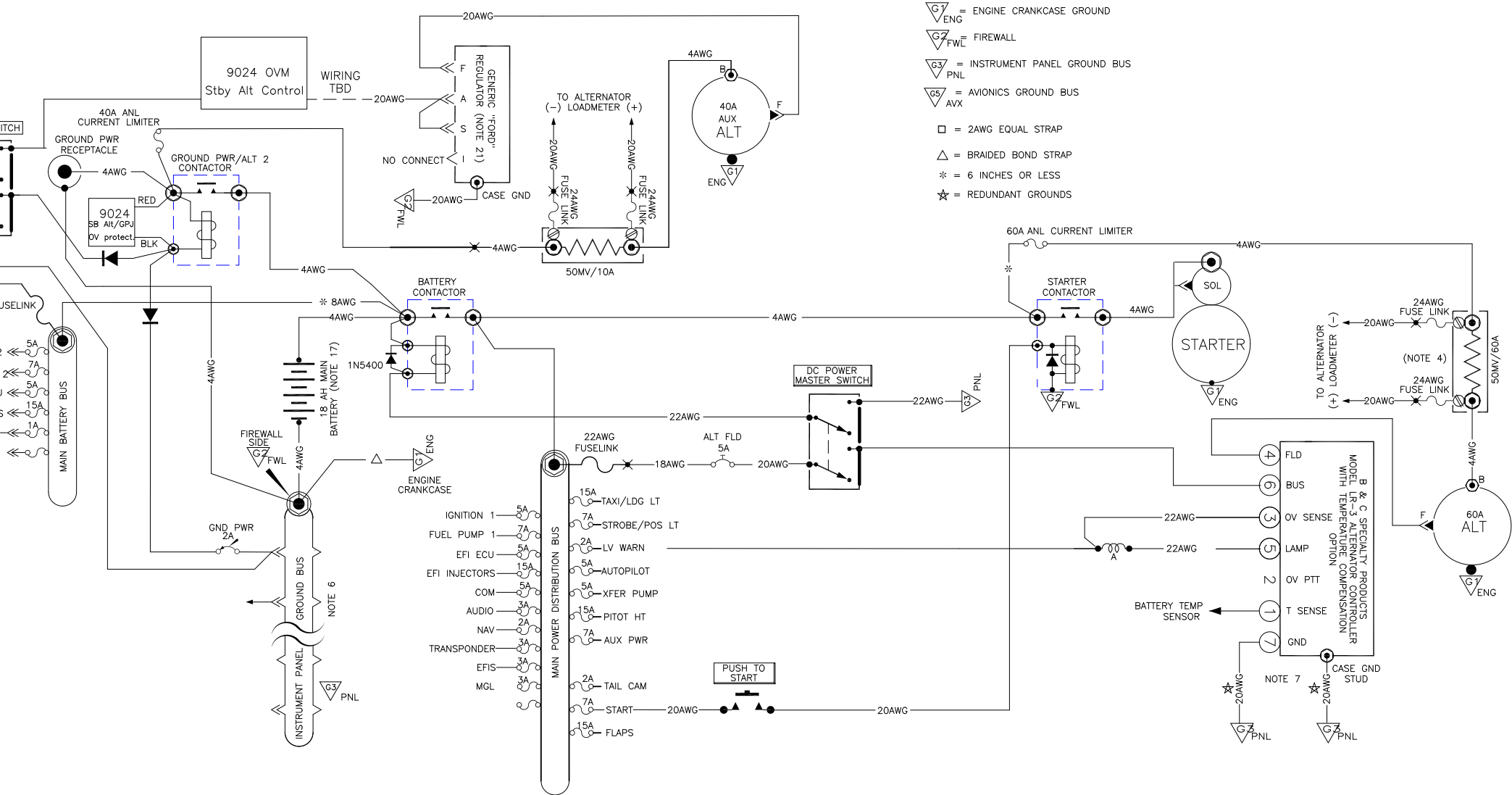
20AWG

20AWG

20AWG

20AWG

20AWG



- = ENGINE CRANKCASE GROUND
- = FIREWALL
- = INSTRUMENT PANEL GROUND BUS
- = AVIONICS GROUND BUS
- = 2AWG EQUAL STRAP
- = BRAIDED BOND STRAP
- = 6 INCHES OR LESS
- = REDUNDANT GROUNDS