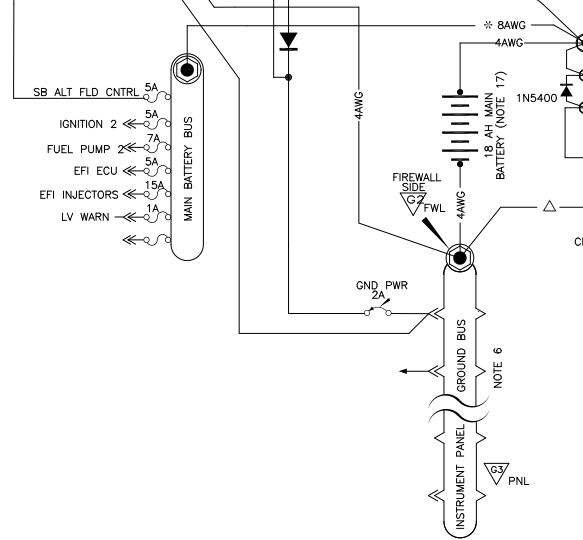
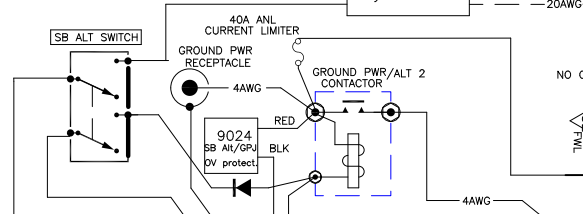
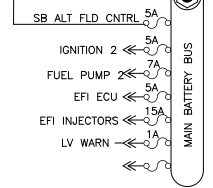
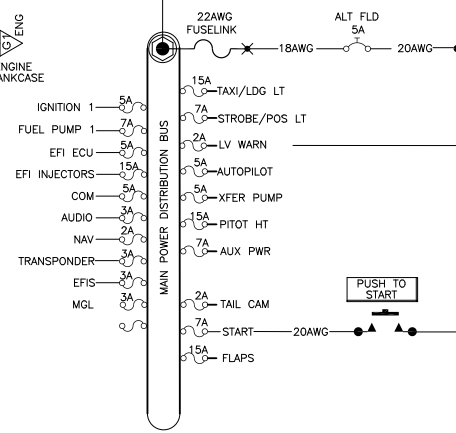
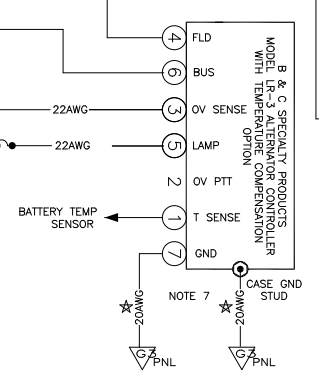
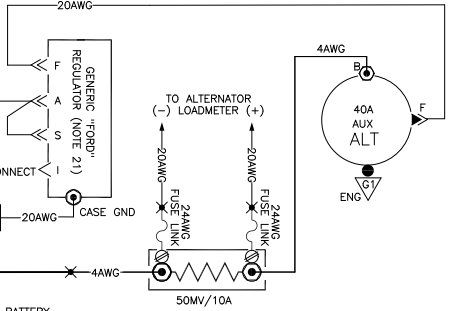
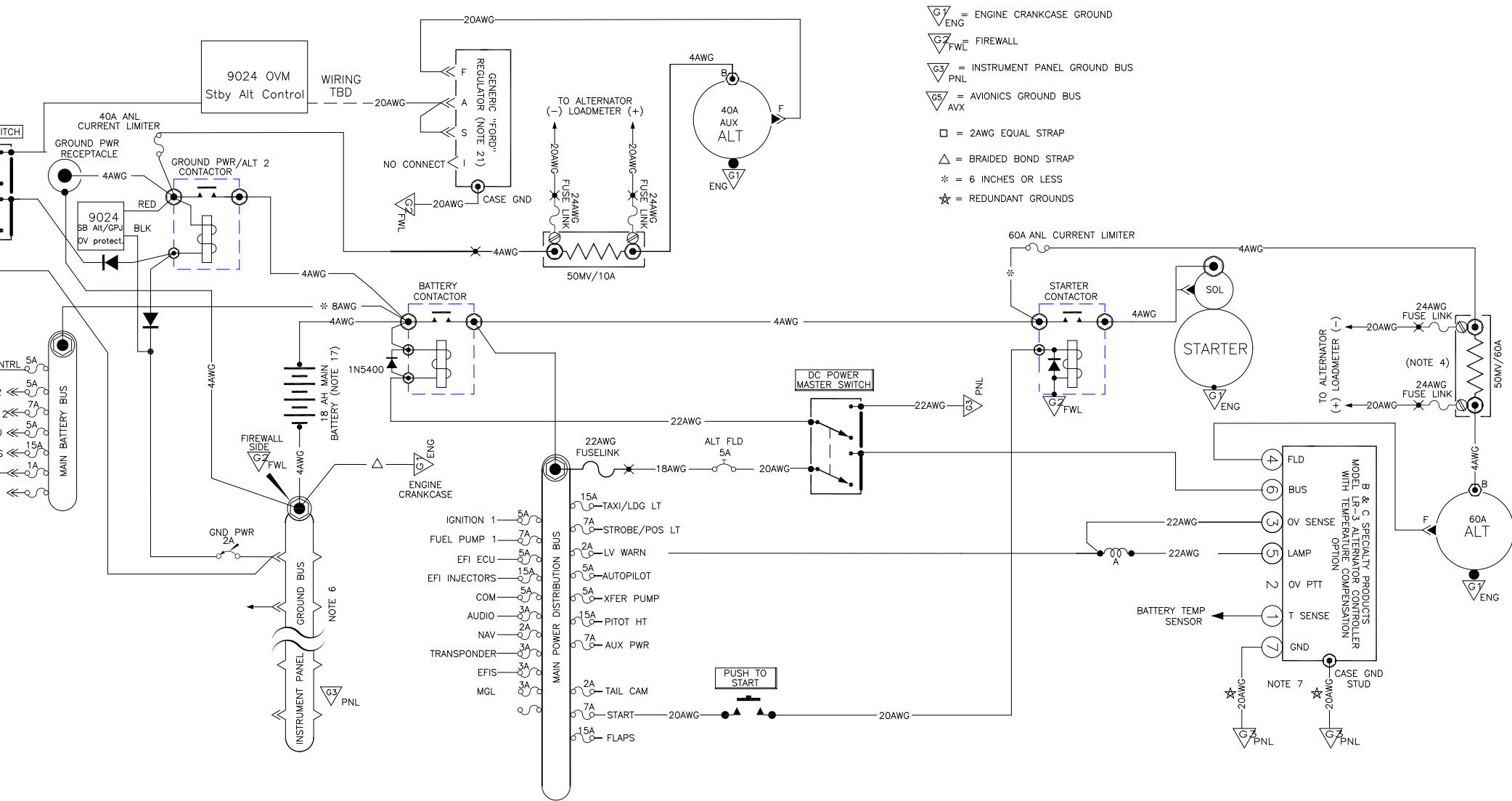


- = ENGINE CRANKCASE GROUND
- = FIREWALL
- = INSTRUMENT PANEL GROUND BUS
- = AVIONICS GROUND BUS
- = 2AWG EQUAL STRAP
- = BRAIDED BOND STRAP
- = 6 INCHES OR LESS
- = REDUNDANT GROUNDS





- = ENGINE CRANKCASE GROUND
- = FIREWALL
- = INSTRUMENT PANEL GROUND BUS
- = AVIONICS GROUND BUS
- = 2AWG EQUAL STRAP
- = BRAIDED BOND STRAP
- * = 6 INCHES OR LESS
- ★ = REDUNDANT GROUNDS

9024 OVM
Stby Alt Control

WIRING
TBD

GENERIC "FORD"
REGULATOR (NOTE 21)

40A
AUX
ALT

60A ANL CURRENT LIMITER

STARTER

DC POWER
MASTER SWITCH

B & C SPECIALTY PRODUCTS
MODEL LR-3 ALTERNATOR CONTROLLER
WITH TEMPERATURE COMPENSATION
OPTION

50MV/60A

60A
ALT

18 AH MAIN
BATTERY (NOTE 17)

MAIN POWER DISTRIBUTION BUS

- IGNITION 1 5A
- FUEL PUMP 1 7A
- EFI ECU 5A
- EFI INJECTORS 15A
- COM 5A
- AUDIO 2A
- NAV 2A
- TRANSPONDER 3A
- EFIS 3A
- MGL 3A
- 15A TAXI/LDG LT
- 7A STROBE/POS LT
- 2A LV WARN
- 5A AUTOPILOT
- 5A XFER PUMP
- 15A PITOT HT
- 7A AUX PWR
- 2A TAIL CAM
- 7A START
- 15A FLAPS

GROUND BUS
NOTE 6

INSTRUMENT PANEL
NOTE 3

BATTERY TEMP
SENSOR

NOTE 7

CASE GND
STUD

NOTE 4

NOTE 5

NOTE 6

NOTE 7

NOTE 8

NOTE 9

NOTE 10

NOTE 11

NOTE 12

NOTE 13

NOTE 14

NOTE 15

NOTE 16

NOTE 17

NOTE 18

NOTE 19

NOTE 20

NOTE 21

NOTE 22

NOTE 23

NOTE 24

NOTE 25

NOTE 26

NOTE 27

NOTE 28

NOTE 29

NOTE 30

NOTE 31

NOTE 32

NOTE 33

NOTE 34

NOTE 35

NOTE 36

NOTE 37

NOTE 38

NOTE 39

NOTE 40

NOTE 41

NOTE 42

NOTE 43

NOTE 44

NOTE 45

NOTE 46

NOTE 47

NOTE 48

NOTE 49

NOTE 50

NOTE 51

NOTE 52

NOTE 53

NOTE 54

NOTE 55

NOTE 56

NOTE 57

NOTE 58

NOTE 59

NOTE 60

NOTE 61

NOTE 62

NOTE 63

NOTE 64

NOTE 65

NOTE 66

NOTE 67

NOTE 68

NOTE 69

NOTE 70

NOTE 71

NOTE 72

NOTE 73

NOTE 74

NOTE 75

NOTE 76

NOTE 77

NOTE 78

NOTE 79

NOTE 80

NOTE 81

NOTE 82

NOTE 83

NOTE 84

NOTE 85

NOTE 86

NOTE 87

NOTE 88

NOTE 89

NOTE 90

NOTE 91

NOTE 92

NOTE 93

NOTE 94

NOTE 95

NOTE 96

NOTE 97

NOTE 98

NOTE 99

NOTE 100