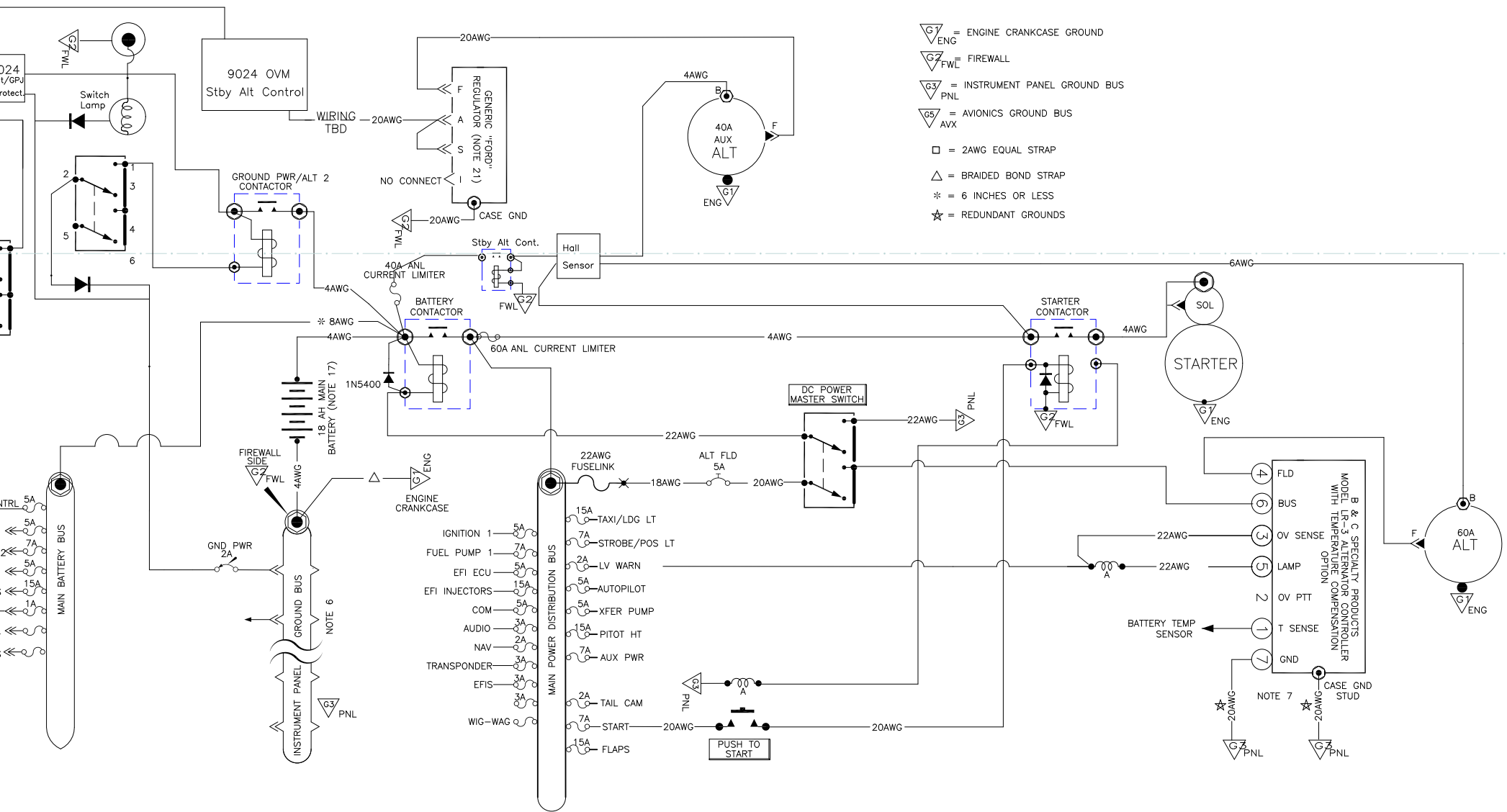


- = ENGINE CRANKCASE GROUND
- = FIREWALL
- = INSTRUMENT PANEL GROUND BUS
- = AVIONICS GROUND BUS
- = 2AWG EQUAL STRAP
- = BRAIDED BOND STRAP
- = 6 INCHES OR LESS
- = REDUNDANT GROUNDS

B & C SPECIALTY PRODUCTS  
 MODEL LFA-3 ALTERNATOR CONTROLLER  
 WITH TEMPERATURE COMPENSATION OPTION

NOTE 7  
 CASE GND STUD



- = ENGINE CRANKCASE GROUND
- = FIREWALL
- = INSTRUMENT PANEL GROUND BUS
- = AVIONICS GROUND BUS
- = 2AWG EQUAL STRAP
- = BRAIDED BOND STRAP
- = 6 INCHES OR LESS
- = REDUNDANT GROUNDS

B & C SPECIALTY PRODUCTS  
 MODEL LR-3 ALTERNATOR CONTROLLER  
 WITH TEMPERATURE COMPENSATION  
 OPTION

NOTE 7