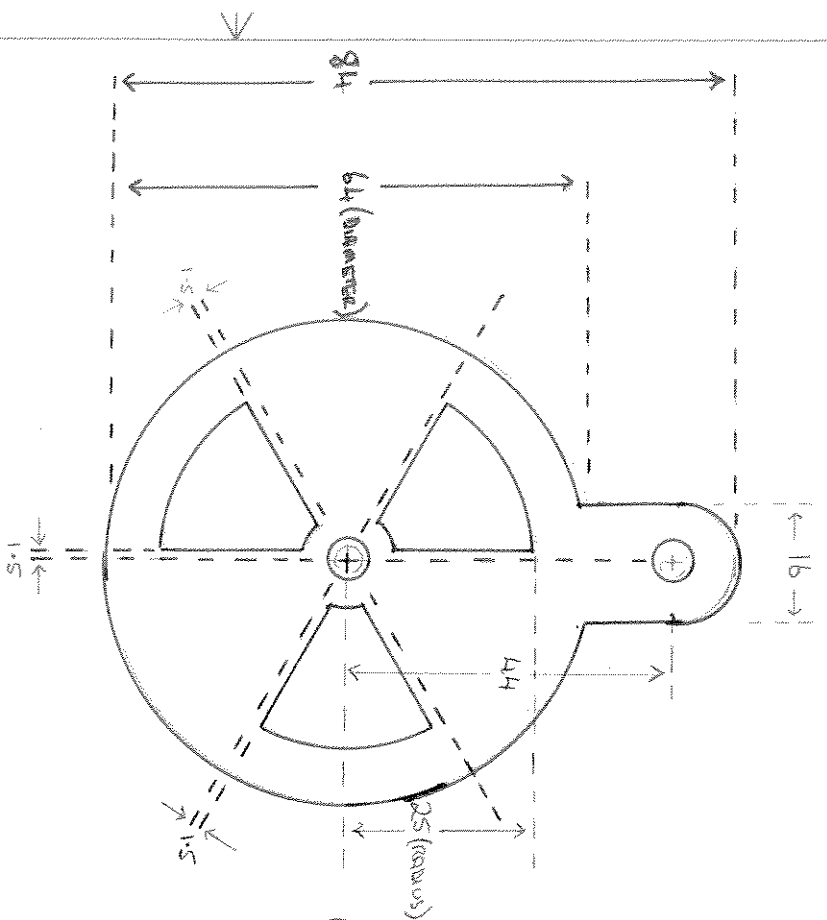
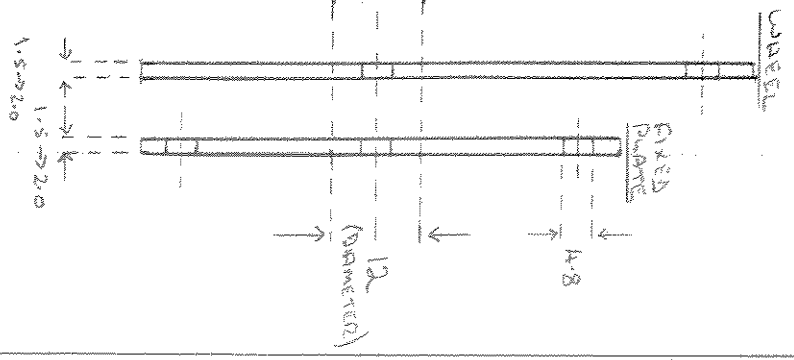
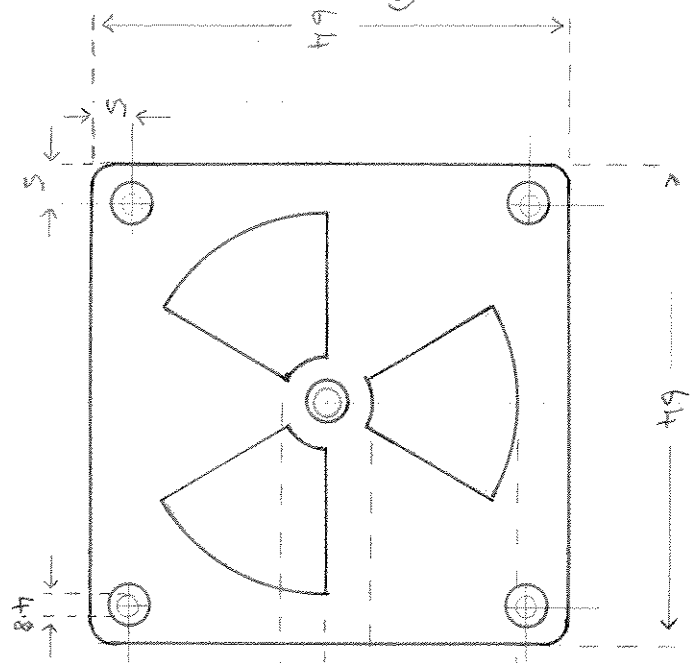


WHEEL



FIXED PLATE



MATERIAL:  
 STAINLESS STEEL (304 OR 316L)  
 1.5 → 2.0 mm SUBSET

ALL DIMENSIONS: MILLIMETERS (M.M.).

ALL BOLT HOLES: CLEARANCE FOR M.8 MM

DAVE MOORE  
 24 NORTH SQUARE  
 FORTNIE  
 ABERDEEN AB11 5DX  
 TEL: 01224 592041 (HM)  
 01224 269815 (LWK)

TITLE  
 DAISY WHEEL VENT

SCALE	1:1	SHEET	111
SIZE	A4	CAGE CODE	
DWG NO		REV	0