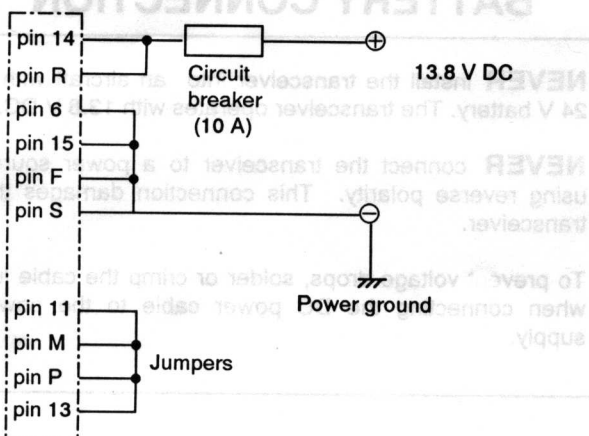


WIRING

Power cable wiring

Use 2 pairs of #18 AWG wires for power and power grounding wiring.



Circuit breaker

To prevent physical damage, a 10 A circuit breaker **MUST** be installed in the aircraft. Mount the circuit breaker in the aircraft breaker panel or instrument panel to ensure easy access during flight.

Ground

The transceiver power ground is the airframe ground.

Jumpers

Pins 11, M, P, 13 **MUST** be jumped together with AWG #20 wires or thicker.

Internal fuse

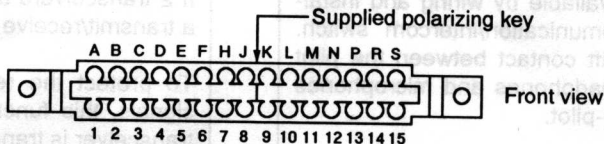
The IC-A200 has a 5 A internal fuse. If the power does not turn ON, open the top cover and check the fuse.

Dimmer selection

Connect pin B to the instrument panel lighting line.

When the instrument panel lighting switch is placed to dimmer position, the transceiver backlighting is reduced to half brightness.

Molex connector

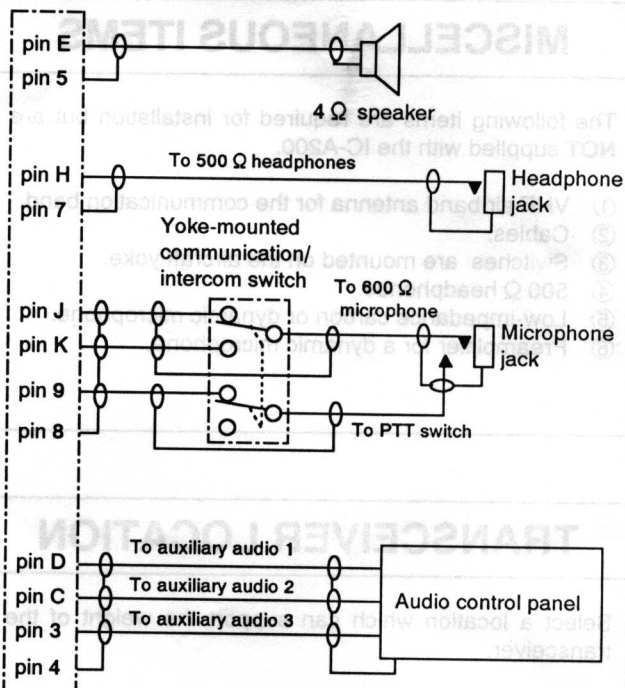


A	No connection	M	+ 13.8 V power (input)	6	Power ground
B	+ 14 V lighting (input)	N	Transmit/receive interlock	7	Ground for pin H
C	Auxiliary audio 2 (input)	P	Switched aircraft power (output)	8	Ground for pins J, K, 9
D	Auxiliary audio 1 (input)	R	Aircraft power (input)	9	PTT*
E	4 Ω audio (output)	S	Power ground	10	Squelch cancel*
F	Power ground	1	Ground for pin B	11	+ 13.8 V power (input)
H	500 Ω audio (output)	2	Detected audio (output)	12	Frequency exchange switch*
J	Comm microphone (input)	3	Auxiliary audio 3 (input)	13	Switched aircraft power (output)
K	Intercom microphone (input)	4	Ground for pins D, C, 3	14	Aircraft power (input)
L	Memory channel switch*	5	Ground for pin E	15	Power ground

*Ground to activate.

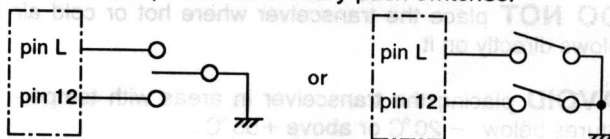
Audio wiring

Use #24 AWG wires for connectors.



Yoke-mounted channel and frequency exchange switches

For the yoke-mounted channel switch and frequency exchange switch, use a 2-position spring loaded rocker switch or 2 separate momentary push switches.



Transmit/receive interlock wiring

When 2 transceivers are installed and both communication antennas are top mounted, pin N **MUST** be connected to pin 9 of each another transceiver.