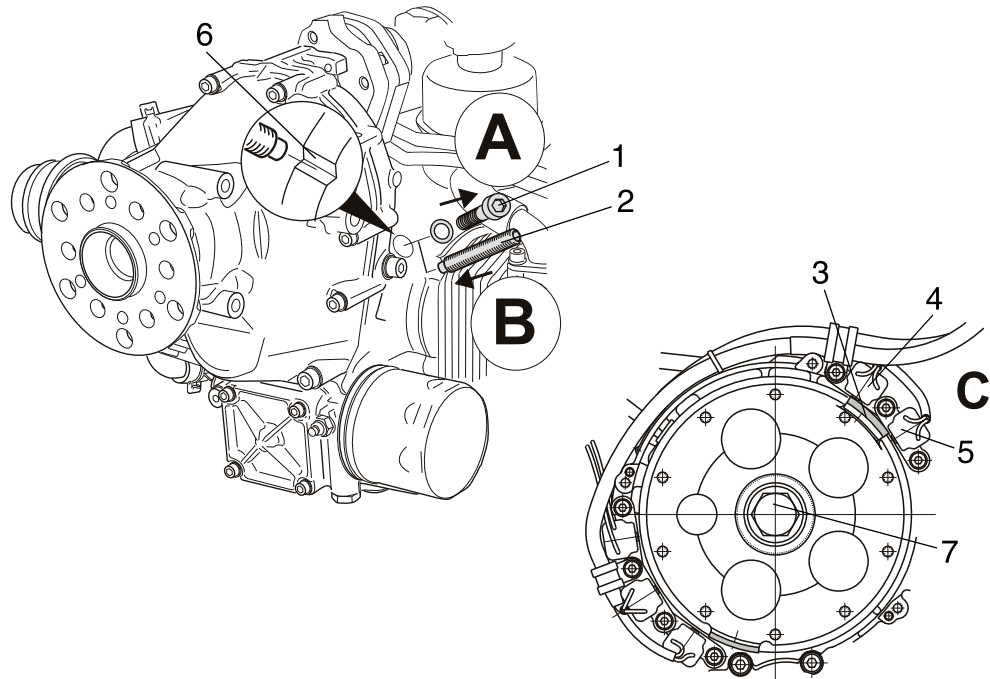


BRP-Powertrain
MAINTENANCE MANUAL

Graphic

Locking the crankshaft



Part	Function
1	Plug screw M8x20
2	Thread bolt
3	Trigger boss
4,5	Trigger coils
6	Crankshaft
7	Hex. screw M16x1,5x40

Fig. 9

08530,08531