

Flap CB

Pin 15

-/12v+

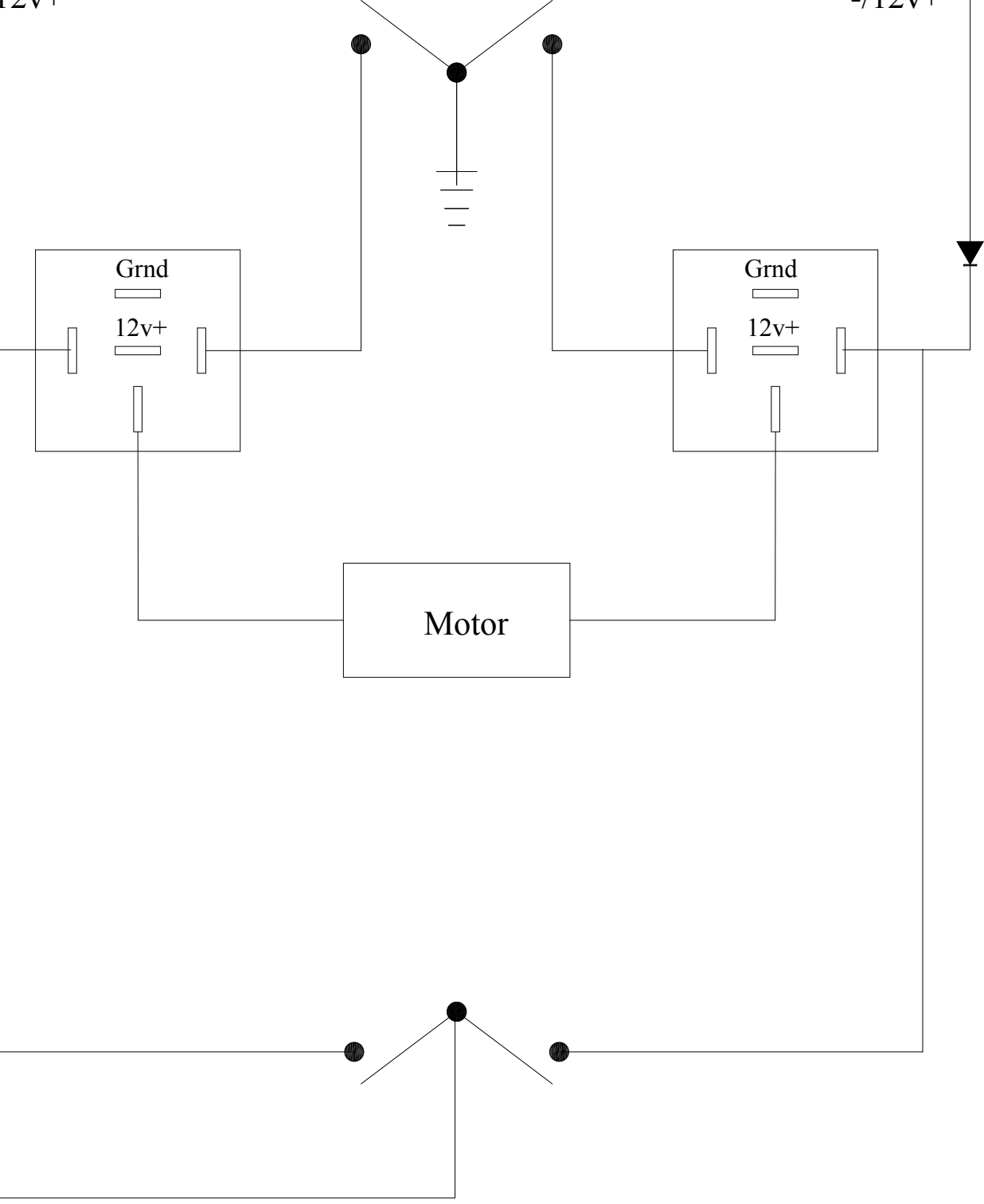
Flap CB

Pin 16

-/12v+

12v+

Flap Circuit board Over-ride



Flap Circuit board Over-ride