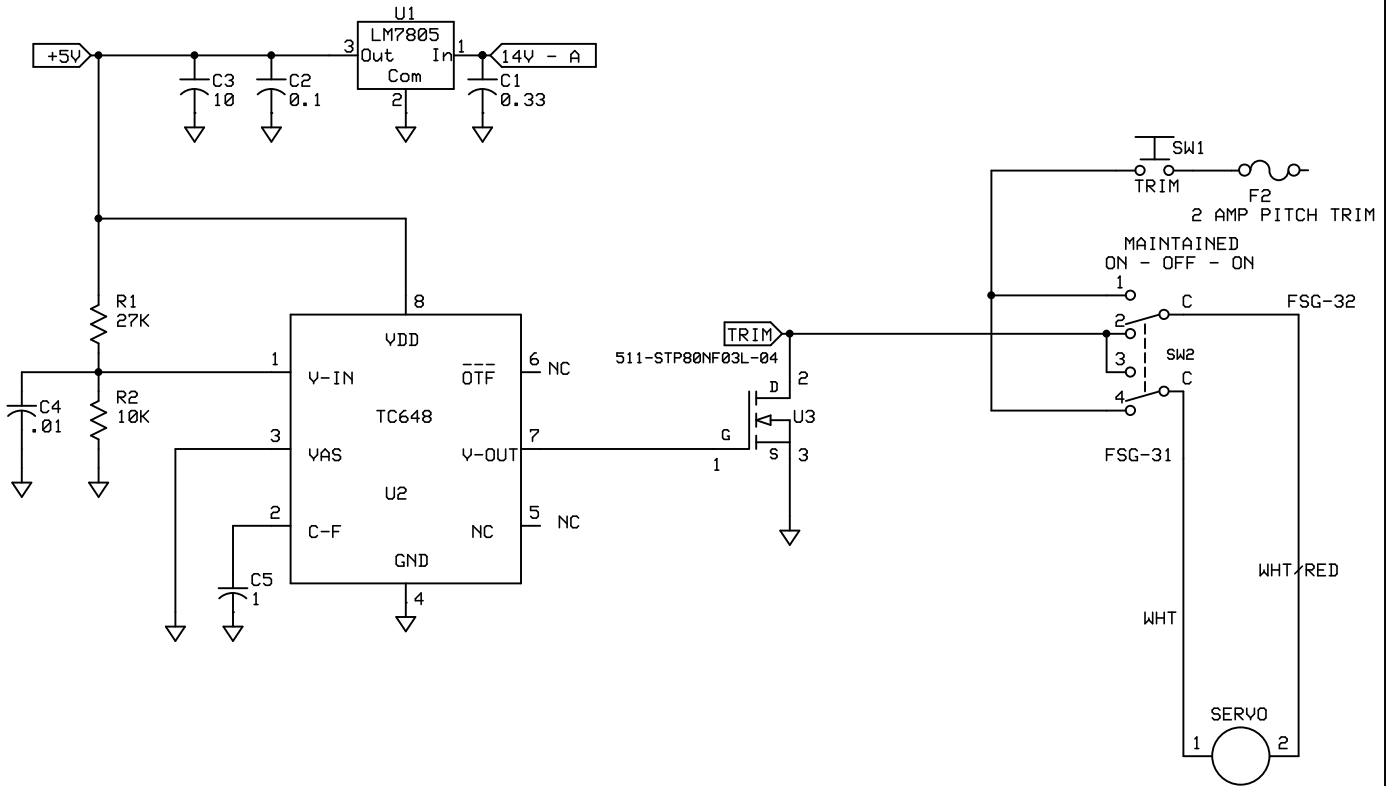


The 0% and 100% motor speeds correspond to V-IN values of 1.25V and 2.65V, typical.



|                 |                      |                |
|-----------------|----------------------|----------------|
| Company Name    |                      |                |
| Schematic Name  |                      |                |
| Designer's name | Rev 1.0<br>2/27/2012 | Page # or name |