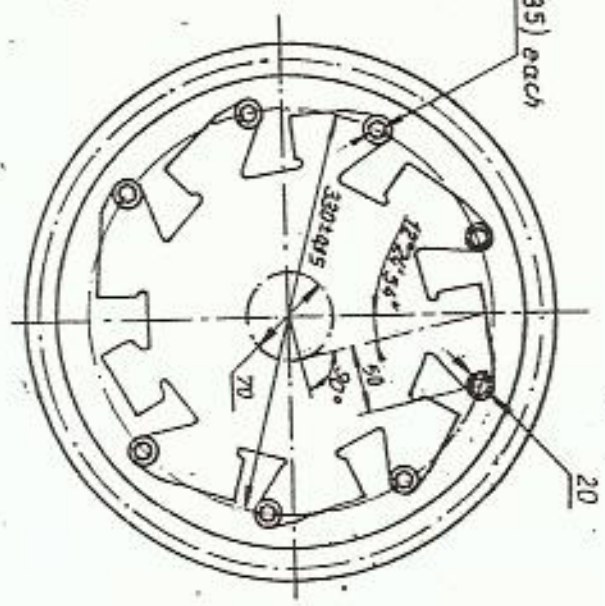
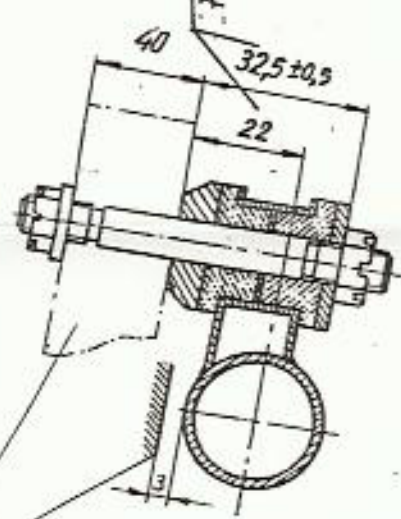


8 holes, $\phi 10.5\text{mm} (+0.035)$ each



A-A cross-section



Engine suction pipe

Engine crankcase boss