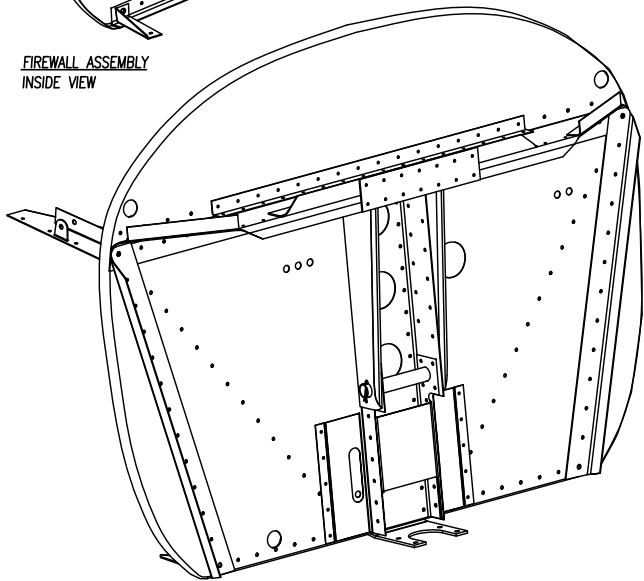
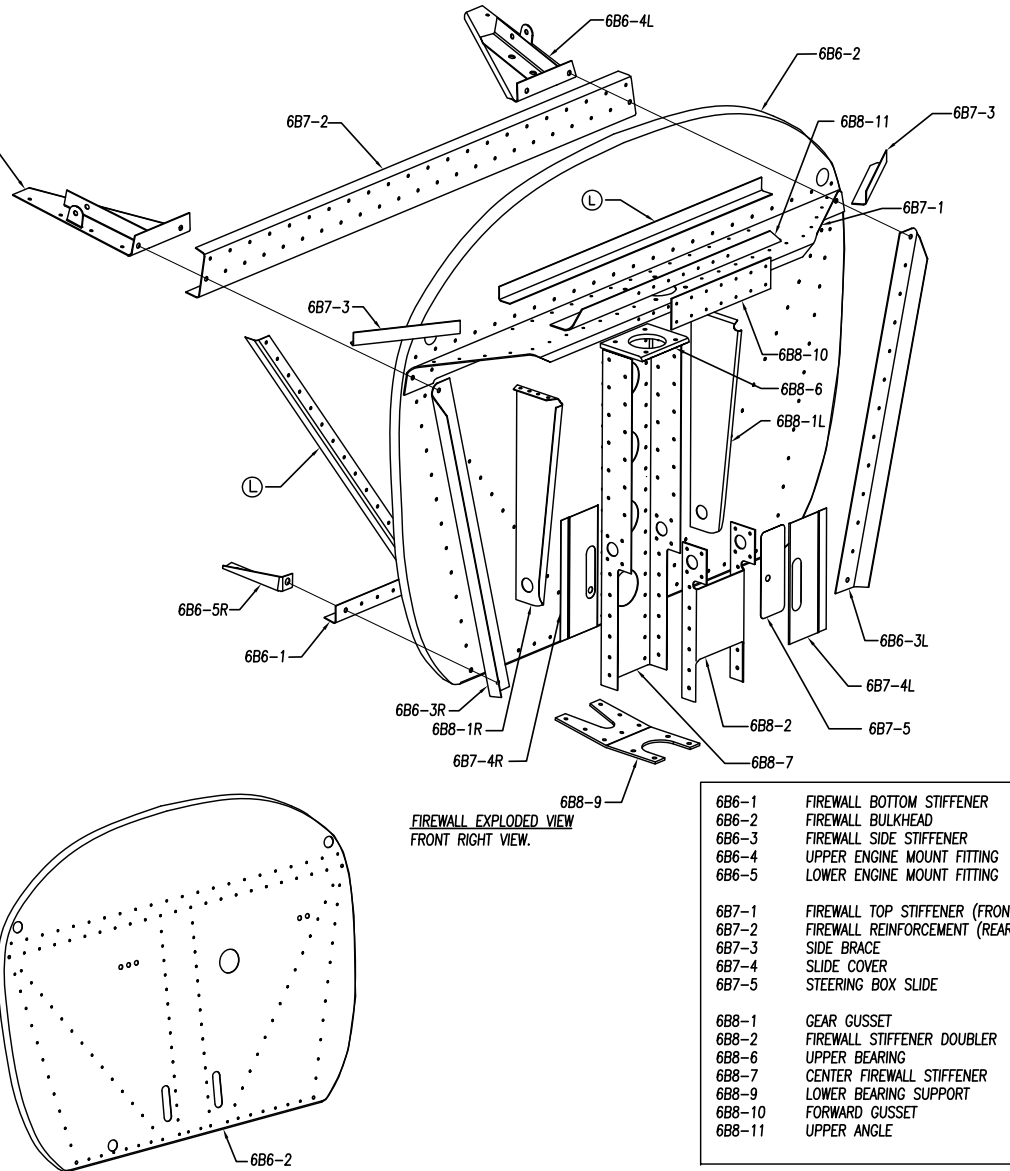


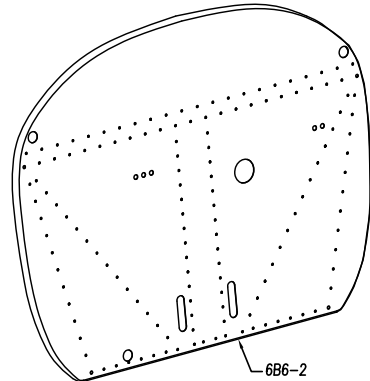
FIREWALL ASSEMBLY
INSIDE VIEW



FIREWALL ASSEMBLY
FRONT RIGHT VIEW



FIREWALL EXPLODED VIEW
FRONT RIGHT VIEW.



PREDRILLED FIREWALL
FRONT RIGHT VIEW.

- | | |
|--------|--------------------------------|
| 6B6-1 | FIREWALL BOTTOM STIFFENER |
| 6B6-2 | FIREWALL BULKHEAD |
| 6B6-3 | FIREWALL SIDE STIFFENER |
| 6B6-4 | UPPER ENGINE MOUNT FITTING |
| 6B6-5 | LOWER ENGINE MOUNT FITTING |
| 6B7-1 | FIREWALL TOP STIFFENER (FRONT) |
| 6B7-2 | FIREWALL REINFORCEMENT (REAR) |
| 6B7-3 | SIDE BRACE |
| 6B7-4 | SLIDE COVER |
| 6B7-5 | STEERING BOX SLIDE |
| 6B8-1 | GEAR GUSSET |
| 6B8-2 | FIREWALL STIFFENER DOUBLER |
| 6B8-6 | UPPER BEARING |
| 6B8-7 | CENTER FIREWALL STIFFENER |
| 6B8-9 | LOWER BEARING SUPPORT |
| 6B8-10 | FORWARD GUSSET |
| 6B8-11 | UPPER ANGLE |

ZODIAC
CH 650 B

FIREWALL
PARTS: 6-B-6 to 6-B-8

6-XB-13