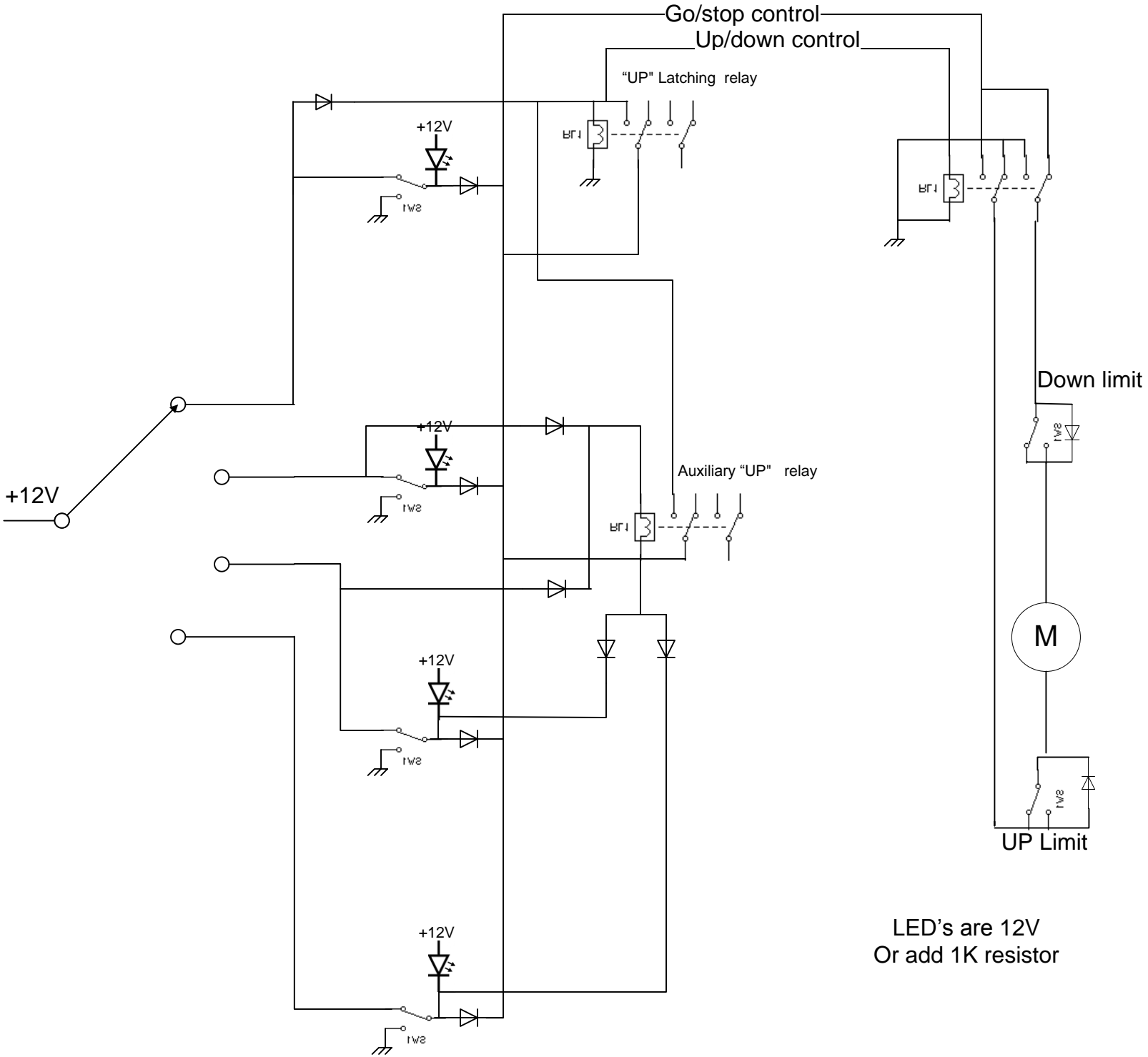


Four steps any to any flap controller



LED's are 12V
Or add 1K resistor