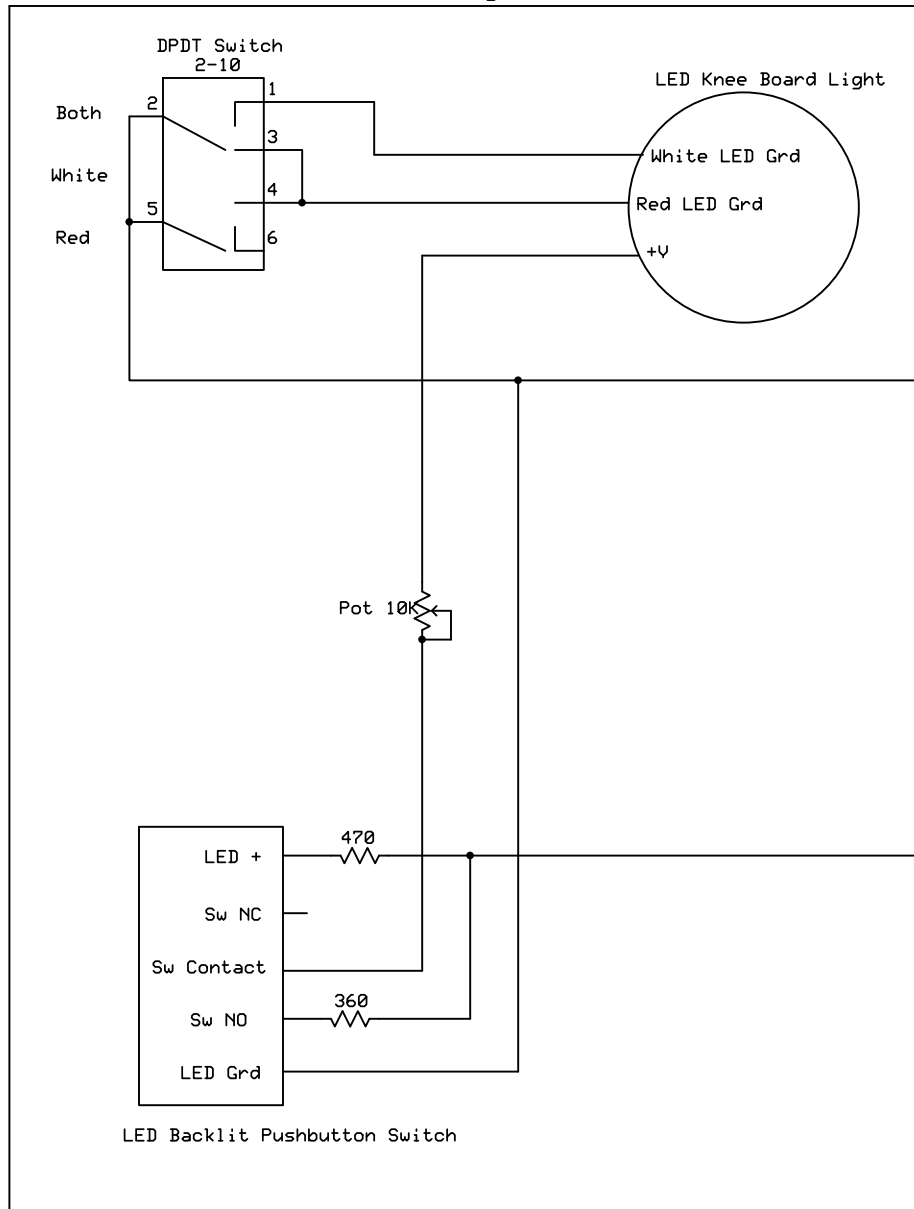


Kneboard Light Panel



Kneboard Light Panel (1 Pilot and 1 Co-pilot)

Inst Ground Bus

Pilot
Essential Bus +14V
1 Amp Circuit Breaker

Co-Pilot
Aft Main Bus +14V
1 Amp Fuse