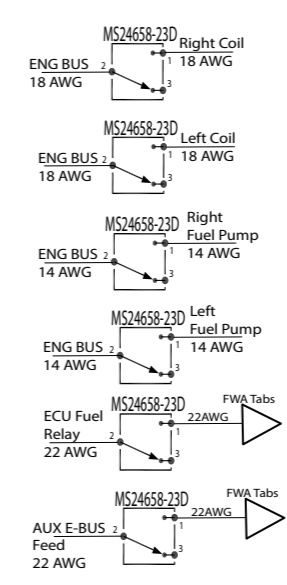
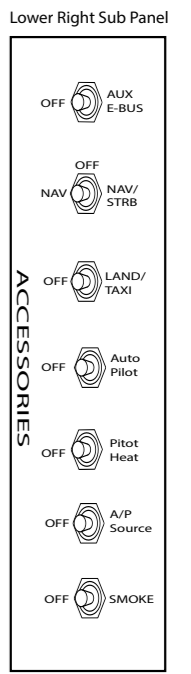
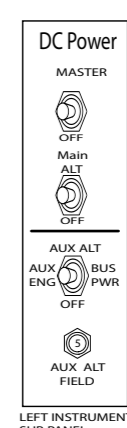
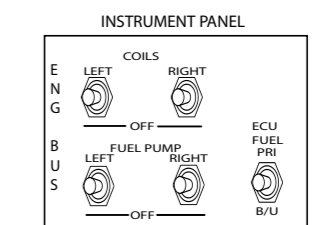
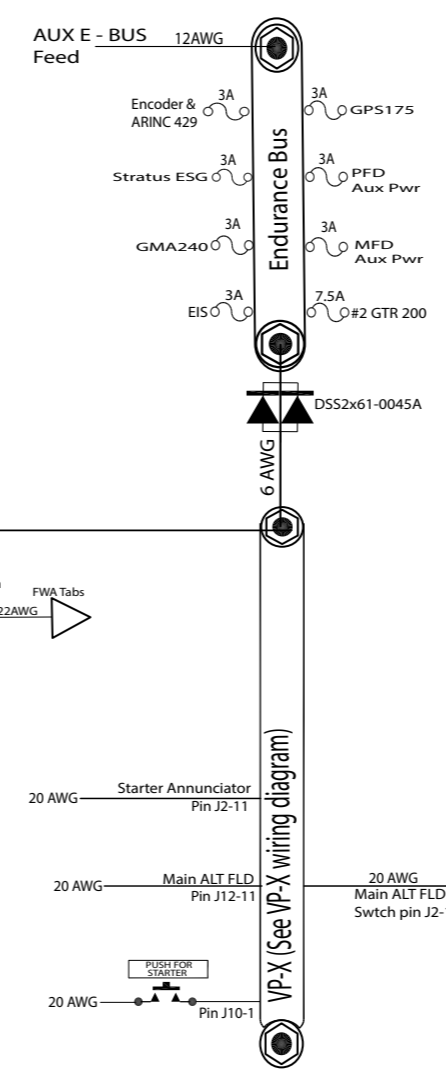
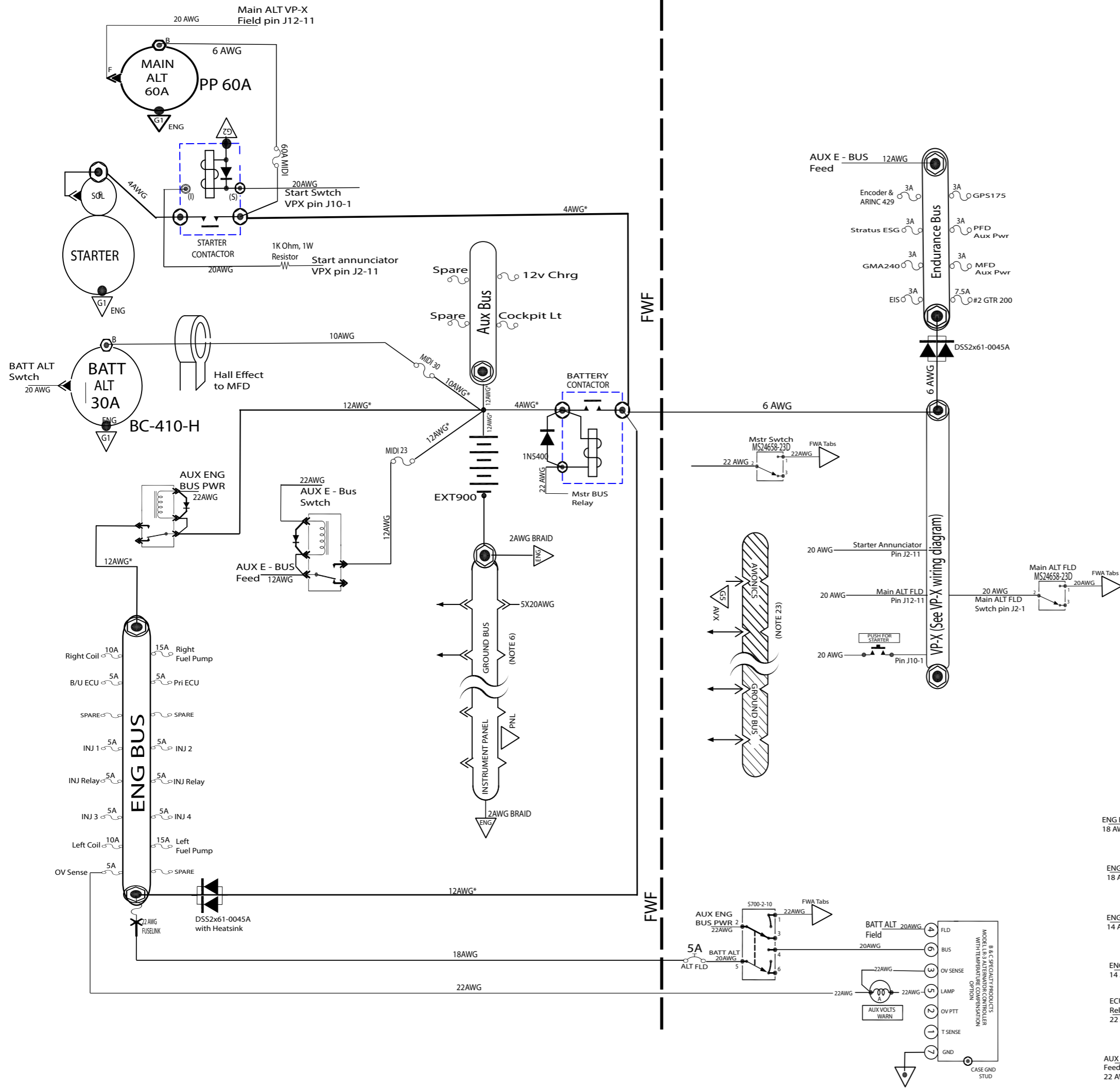


Electrical Schematic
 1 Battery - EXT900
 2 Alternators - PP60A IR & B&C 410-H 30A ER
 REV 5 - Changes:
 Added power to the Aux ENG BUS Pwr relay
 Change E-Bus relay putting BATT on NO post



- = INSTRUMENT PANEL GROUND BUS PNL
- = ENGINE CRANKCASE GROUND
- = FIREWALL FWL
- = AVIONICS GROUND BUS AVX
- = 2AWG EQUAL STRAP
- = BRAIDED BOND STRAP
- = 6 INCHES OR LESS
- = REDUNDANT GROUNDS

Title SDS EM5 Eng Bus - Single BATT		
Author Jeff Parker		Aircraft RV8 - IO-360
Revision 5	Date 04/08/2020	Page 1 of 1