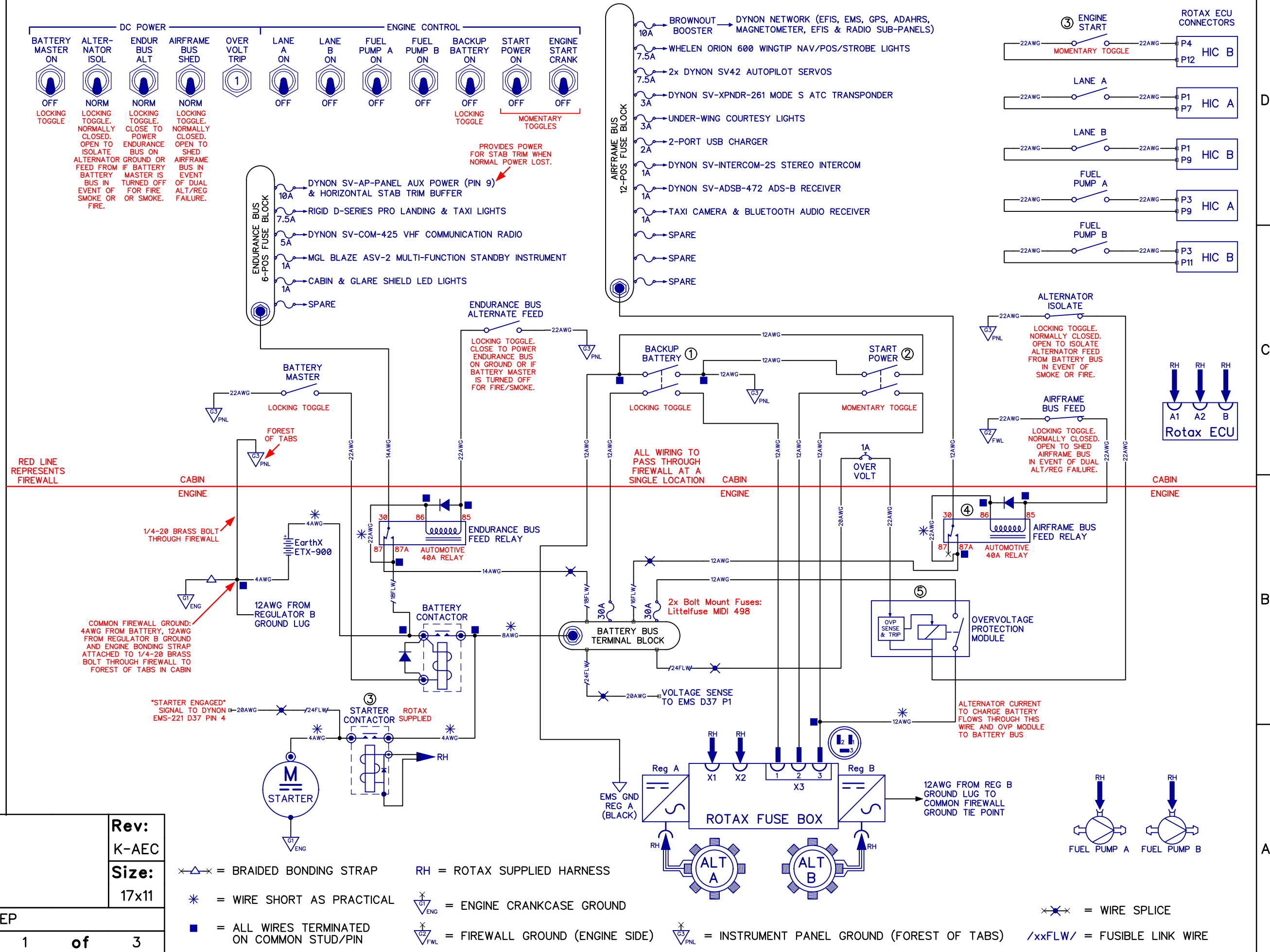


NOTES:

- The BACKUP BATTERY switch is used only when both alternator/regulator systems have failed, to provide battery power directly to the engine management system. Rotax iS engines normally operate directly from internal Alternator/Regulator A, with a floating ground; this switch also connects the engine management system ground to airframe/battery ground.
- The START POWER switch provides electrical power and battery-referenced ground to the engine management system during engine start. Once the engine is running, this switch is released and the engine operates from internal Alternator/Regulator A, with a floating ground.
- The Rotax Fuse Box controls the STARTER CONTACTOR via the Rotax-supplied harness. The ENGINE START switch is connected via HIC connector B, pins 4 and 12.
- The AIRFRAME BUS FEED RELAY is normally closed. The relay is opened by the AIRFRAME BUS FEED SWITCH in the event of dual alternator/regulator failure, which load-sheds the AIRFRAME BUS to conserve battery capacity for longest possible engine operation. If this circuit fails open, notify ATC and continue flight using the multifunction standby instrument. All ENDURANCE BUS items remain powered.
- This is a builder-designed custom module. The relay in the OVER-VOLTAGE PROTECTION MODULE is normally closed. The module incorporates an Analog Devices (Linear Technology) LTC1696 over-voltage protection controller IC, which monitors the BATTERY BUS voltage and compares it against an adjustable threshold. If the BATTERY BUS voltage exceeds the threshold, the LTC1696 opens the module's relay by triggering an SCR to short the power supply to the module, opening the 1A circuit breaker from the BATTERY BUS.



Title:		Rev:	
Electrical System Architecture		K-AEC	
Kitfox Series 5 Safari		Size:	
Rotax 912iS		17x11	
Date:	Drawn by: EP		
12 Oct 2022	Sheet:	1	of 3

- ⊗ ⊚ ⊗ = BRAIDED BONDING STRAP
- * = WIRE SHORT AS PRACTICAL
- = ALL WIRES TERMINATED ON COMMON STUD/PIN
- RH = ROTAX SUPPLIED HARNESS
- ⊚_{ENG} = ENGINE CRANKCASE GROUND
- ⊚_{FWL} = FIREWALL GROUND (ENGINE SIDE)
- ⊚_{PNL} = INSTRUMENT PANEL GROUND (FOREST OF TABS)
- ⊗ ⊚ ⊗ = WIRE SPLICE
- /xxFLW/ = FUSIBLE LINK WIRE