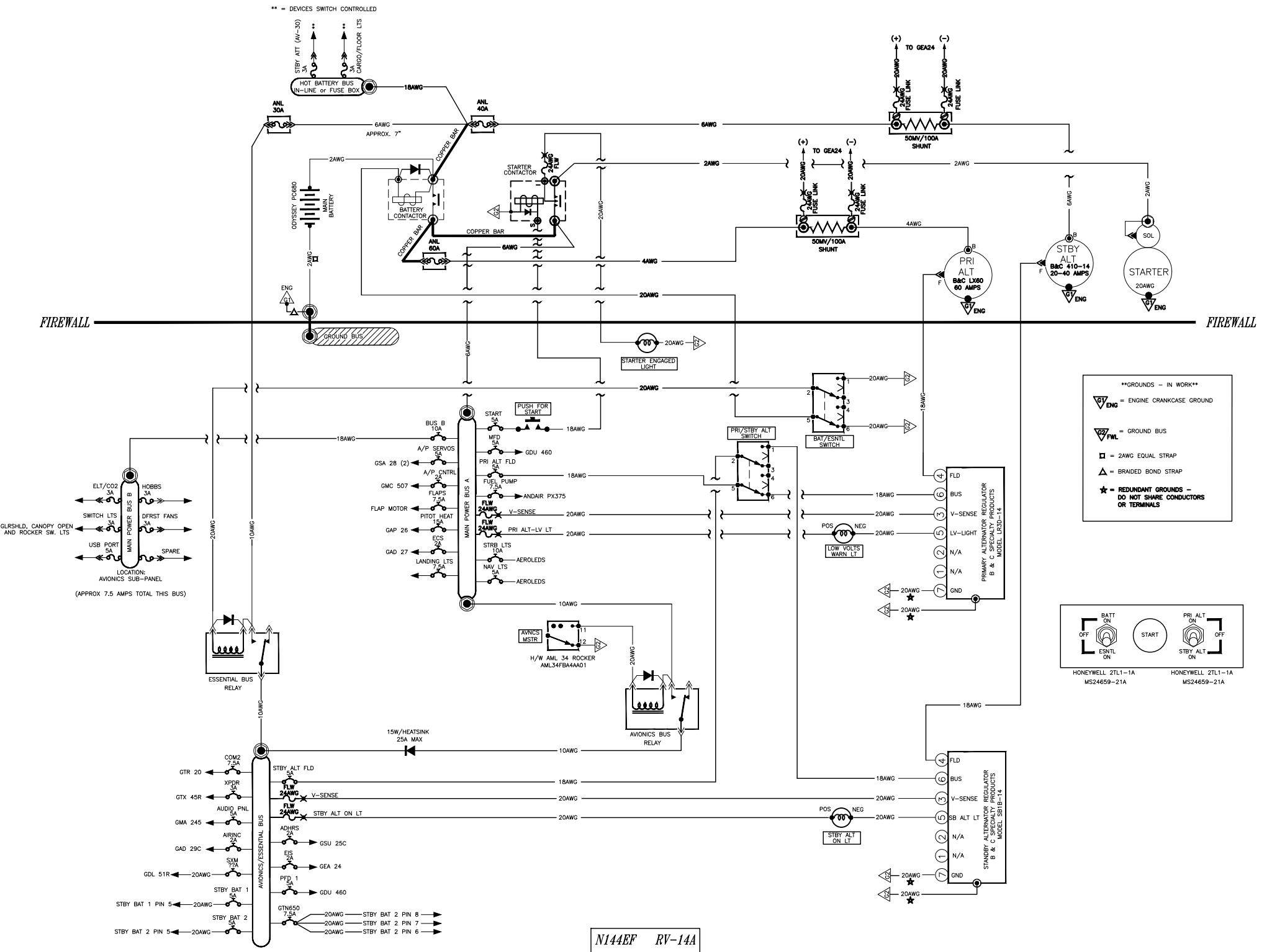


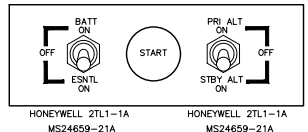
** = DEVICES SWITCH CONTROLLED



FIREWALL

FIREWALL

- **GROUNDS - IN WORK****
- = ENGINE CRANKCASE GROUND
 - = GROUND BUS
 - = 2AWG EQUAL STRAP
 - = BRAIDED BOND STRAP
 - = REDUNDANT GROUNDS - DO NOT SHARE CONDUCTORS OR TERMINALS



N144EF RV-14A

PRIMARY POWER SYSTEM -IN WORK- REV 02/17/23