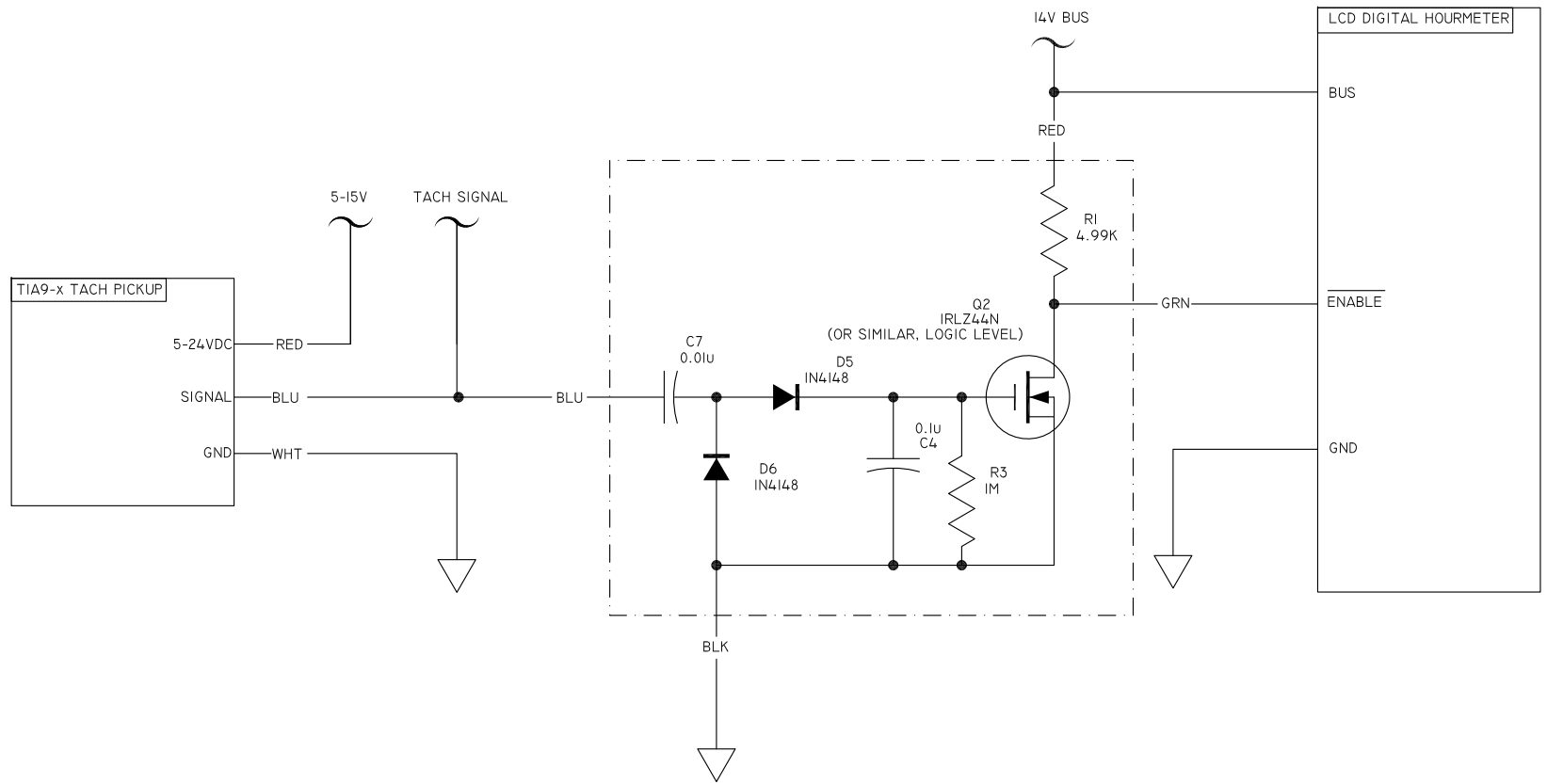


REV	DESCRIPTION OF REVISIONS	DATE/APPROVAL



			AEROELECTRIC CONNECTION PO Box 130, MEDICINE LODGE, KS 67104-0130	
			TITLE TACHO-HRMETER ADAPTER	
	NAME	DATE	DRAWING NO.	
DRAWN	NUCKOLLS	05-17-23	REVISION	
CHECK			DATE	
PROJECT	NUCKOLLS	05-17-23	SCALE NOTED W/O	
APPROVED			PAGE OF	