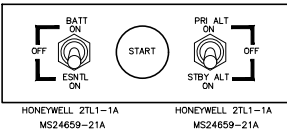
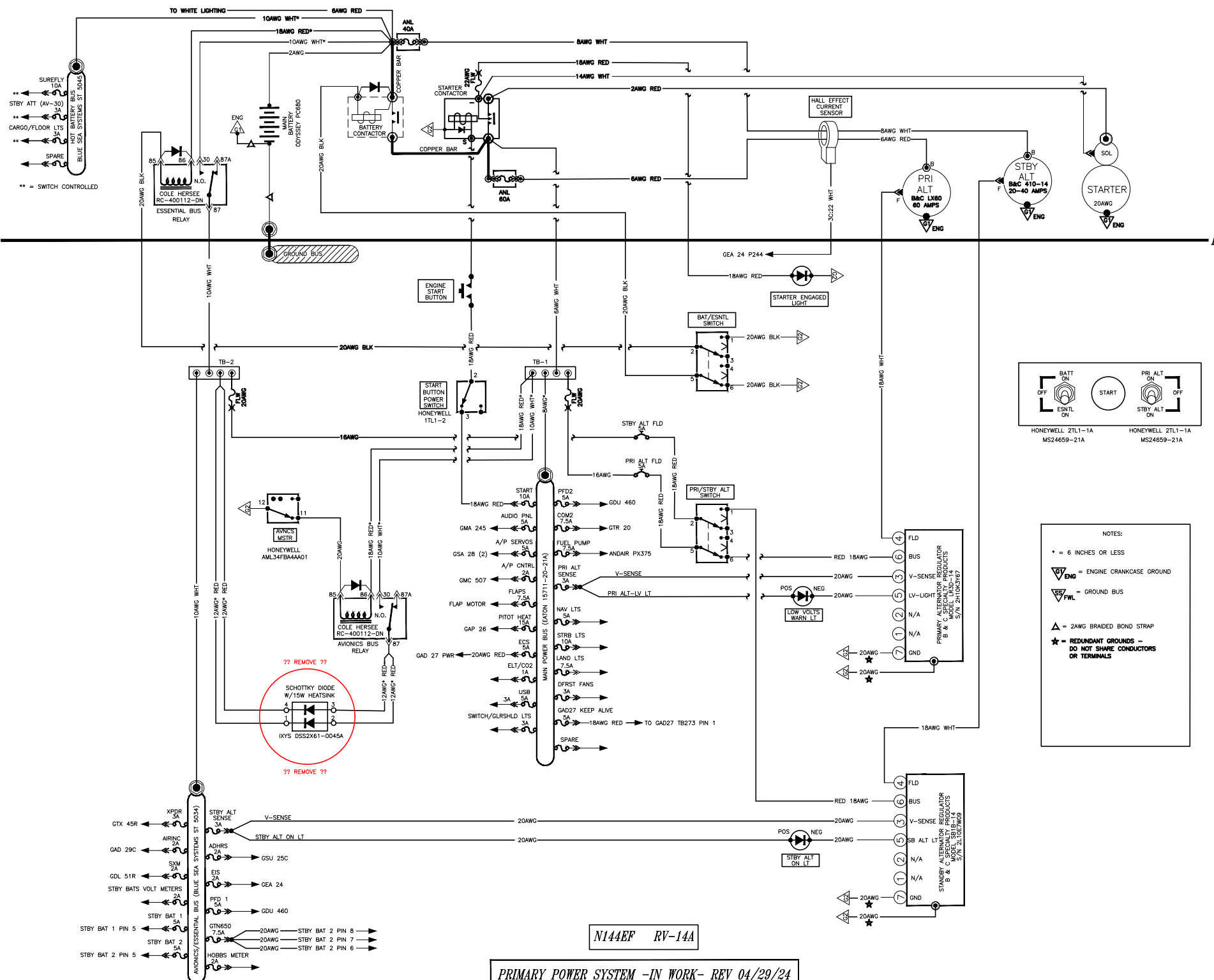


FIREWALL

FIREWALL



NOTES:

- * = 6 INCHES OR LESS
- = ENGINE CRANKCASE GROUND
- = GROUND BUS
- = 2AWG BRAIDED BOND STRAP
- ★ = REDUNDANT GROUNDS - DO NOT SHARE CONDUCTORS OR TERMINALS

N144EF RV-14A

PRIMARY POWER SYSTEM -IN WORK- REV 04/29/24

