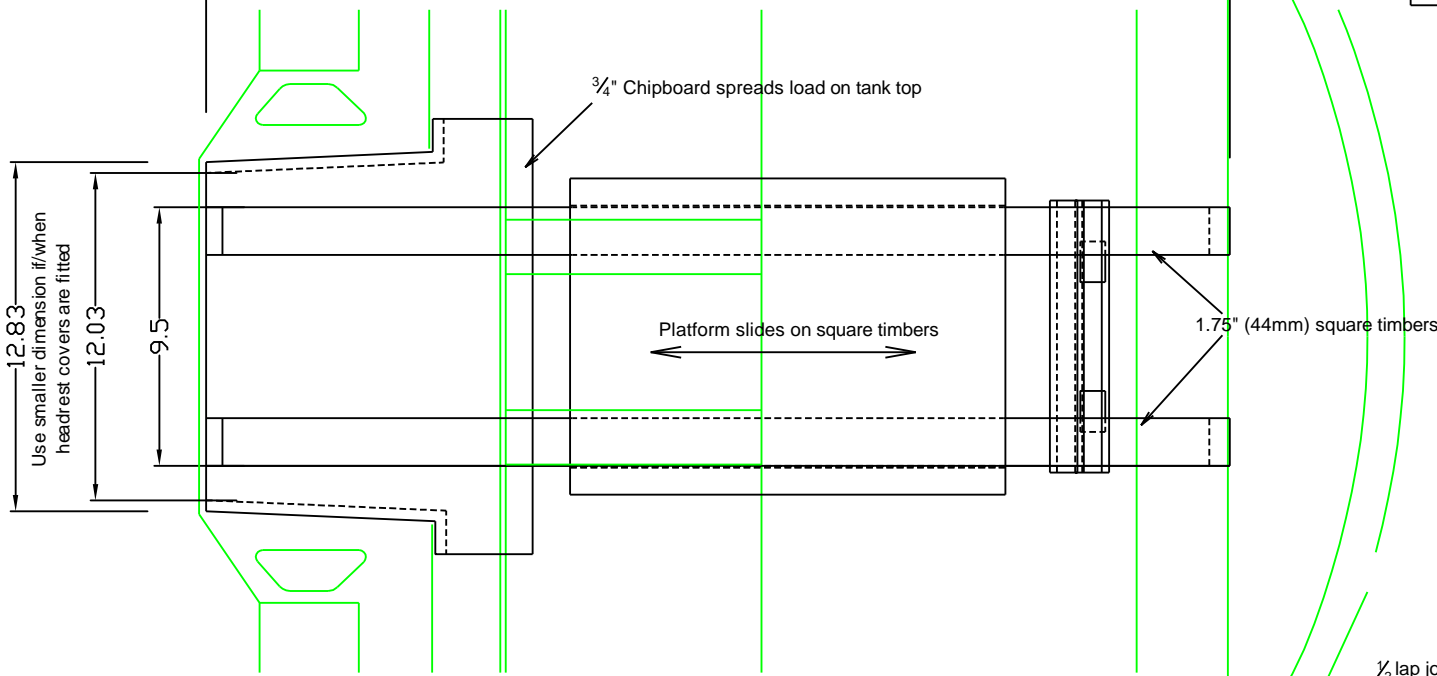


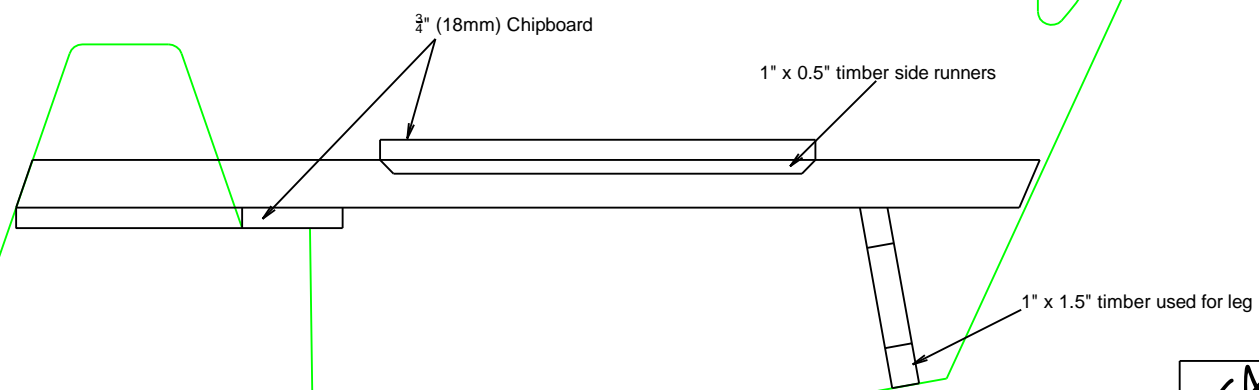
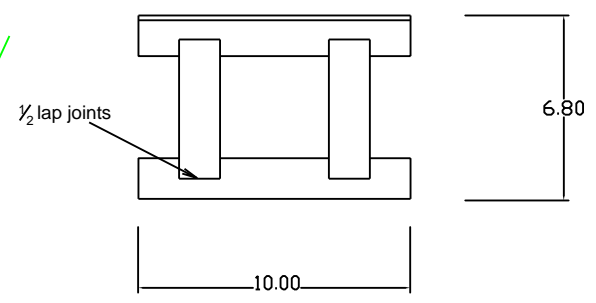
Mod No. ?

37.6

REV	Drawn By	Date	Description



View at 90° to leg



PFA REAR ACCESS DEVICE

Drawn By I. F. Rickard Date 12/04/2002	Title Europa XS Trigear Rear Access Device		
Checked by Date 	PFA A/C Type Europa XS	Serial No 505	Drawing No Europa XS
Scale 	A/C Regn 	Rev 1	Drawing Sheet